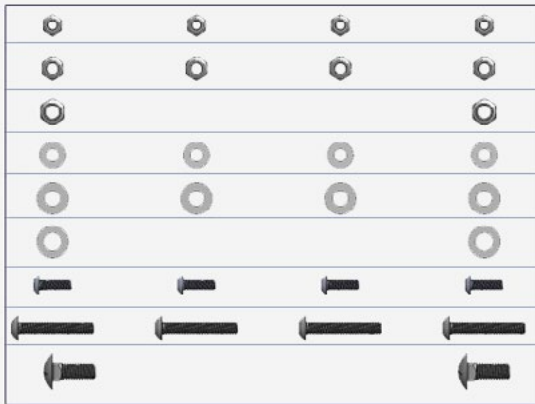
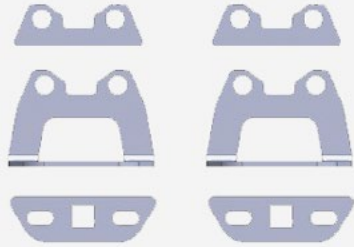


## QUICK FIST MOUNTS & CLAMPS FOR MOLLE PANELS & TRUCK BEDS | BUNDLED PAIR

**ROOOO MSPQUICK**



### **TOOLS REQUIRED**

- 7/16, 1/2 9/16 sockets
- 7/16, 1/2, 9/16 wrenches
- 5/32, 3/16 Hex

### **SKILL LEVEL**

- Easy

### **TIME REQUIRED**

- Approximately 30 Minutes

## **WARNINGS/CAUTIONS BEFORE STARTING INSTALLATION**

### **-BEFORE YOU INSTALL THIS KIT-**

Read and understand all instructions, warnings, cautions, & notes contained in this installation instruction guide. Consult your vehicle owner's manual for proper disconnection of electrical and lifting of vehicle if required for installation of this product.

This install may require some technical skills and knowledge of basic mechanical work. If you do not feel that you are capable of performing this install please take this product to a trained professional.

After reading this guide please contact us with any questions or concerns before installing product.

Customer Service: 830-896-7571

Rago Fabrication is not responsible for any bodily injury or harm to you or your vehicle as a result of an improper install.

Proper installation of this kit required knowledge of the factory recommended procedures for removal and installation of original equipment components.

We recommend that the factory shop manual and any special tools needed to service your vehicle be on hand during the installation. Installation of this kit without proper knowledge of the factory recommended procedures may affect the

performance of these components and the safety of the vehicle.

Inspect all contents of this package to make sure product is not damaged and all installation hardware has been included. If parts are missing from kit, please be prepared to provide the following information:

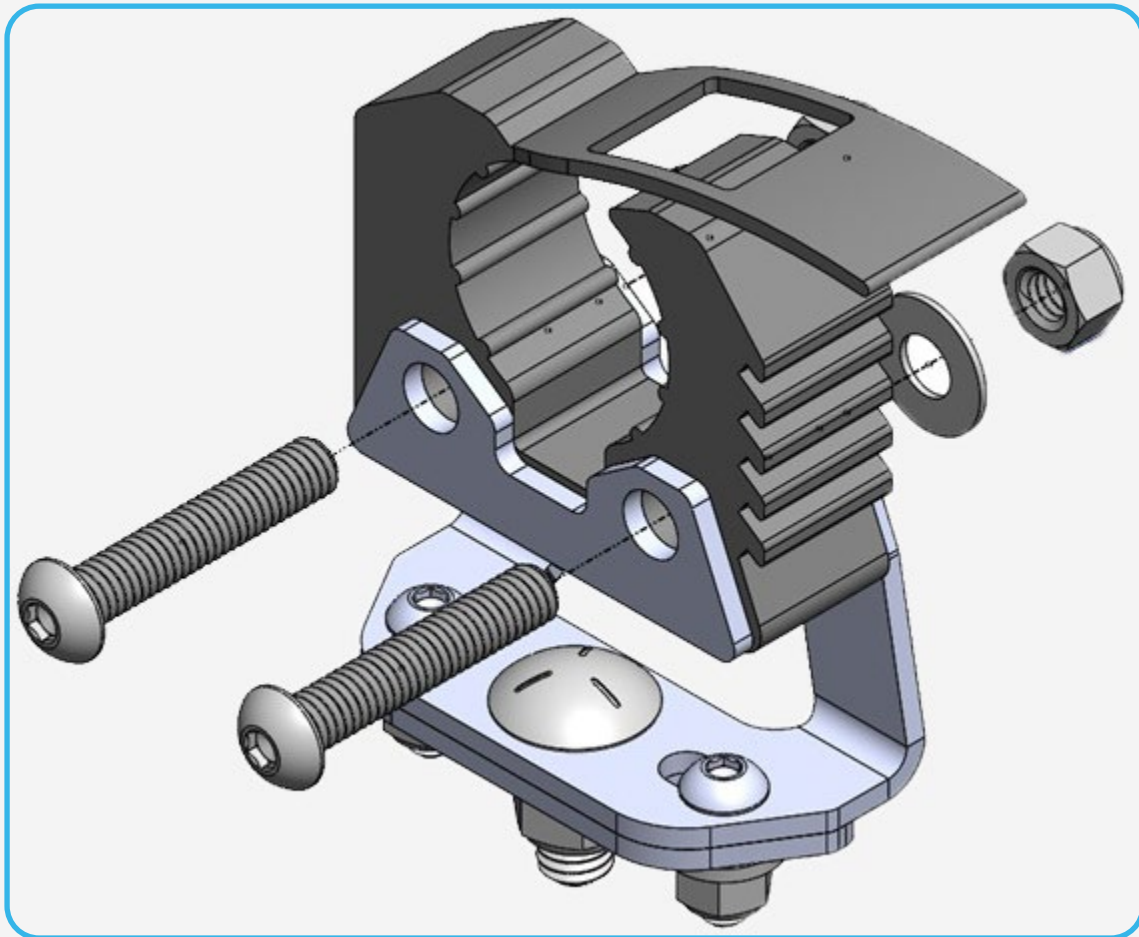
1. Name of purchase location
2. Bar Code on side of box
3. Date above bar code
4. Date inside box cover

**\*ALWAYS WEAR EYE PROTECTION WHEN OPERATING POWER TOOLS\***

# INSTALLATION GUIDE

## □ STEP 1

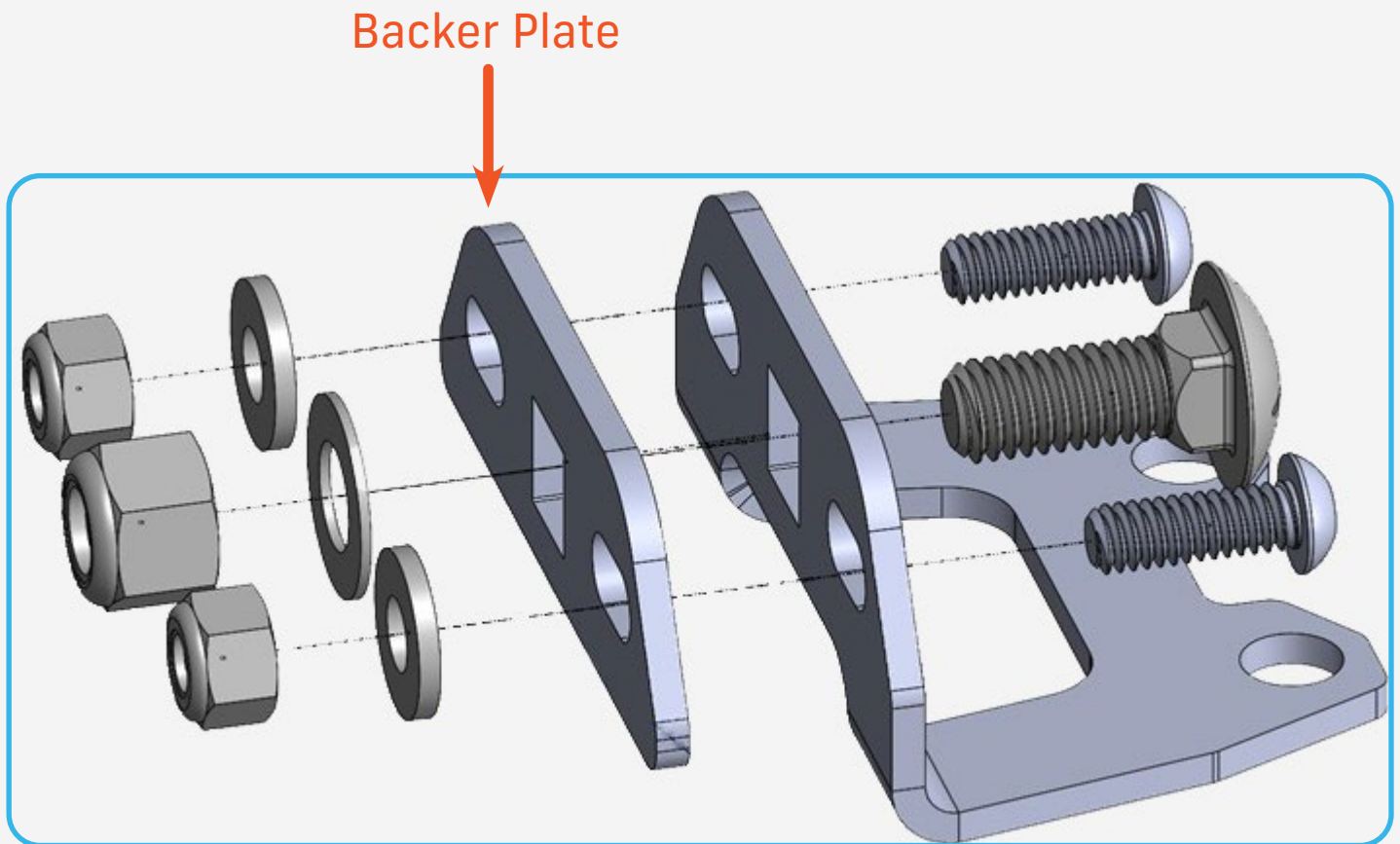
Install the quick fist clamp to the bracket with the provided 5/16 button head bolts, washers, and nylon lock nut using a (3/16 hex) and a (1/2 wrench).



# INSTALLATION GUIDE

## □ STEP 2

Install the quick fist mounts with the provided 1/4-20 button head bolts, washers, and nylon lock nuts using a (5/32 hex) and a (7/16 wrench). You can also install the provided 3/8-16 carriage bolt, and nylon lock nut using a (9/16 wrench). (*The backer plate will be installed on the back side of your product.*)



# INSTALLATION GUIDE

## □ STEP 3

Double check all hardware and fitment for security.

Enjoy your new Quick Fist Mounts & Clamps.

