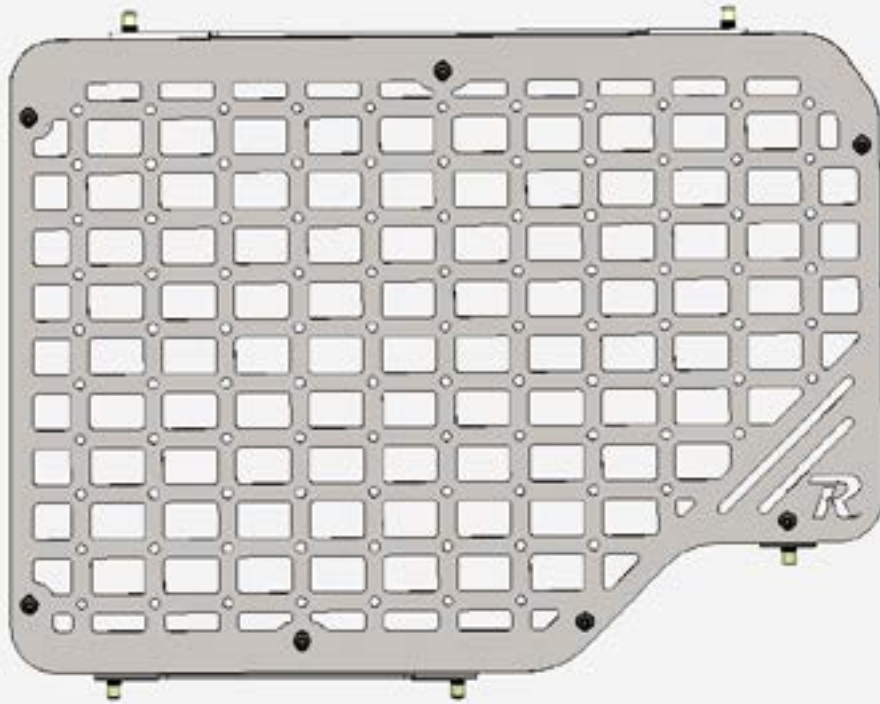


AC6512001NA

2022-UP INEOS GRENADIER

RAGO REAR DOOR WINDOW MOLLE – PASSENGER SIDE



TOOLS REQUIRED

- Pushpin Puller or Flathead Screwdriver
- Rivet Nut Hand Tool
- 5/32 Hex
- Marker
- Ruler
- Masking Tape
- Drill
- Step Drill Bit



SKILL LEVEL

- Medium



TIME REQUIRED

- Approximately 20 Minutes

⚠ WARNINGS/CAUTIONS BEFORE STARTING INSTALLATION ⚠

-BEFORE YOU INSTALL THIS KIT-

Read and understand all instructions, warnings, cautions, & notes contained in this installation instruction guide. Consult your vehicle owner's manual for proper disconnection of electrical and lifting of vehicle if required for installation of this product.

This install may require some technical skills and knowledge of basic mechanical work. If you do not feel that you are capable of performing this install please take this product to a trained professional.

After reading this guide please contact us with any questions or concerns before installing product.

Customer Service: 830-896-7571
Rago Fabrication is **not** responsible for any bodily injury or harm to you or your vehicle as a result of an improper install.

Proper installation of this kit required knowledge of the factory recommended procedures for removal and installation of original equipment components.

We recommend that the factory shop manual and any special tools needed to service your vehicle be on hand during the installation. Installation of this kit without proper knowledge of the factory recommended procedures may affect the

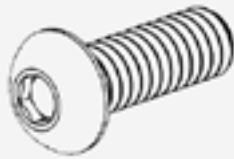
performance of these components and the safety of the vehicle. Inspect all contents of this package to make sure product is not damaged and all installation hardware has been included. If parts are missing from kit, please be prepared to provide the following information:

1. Name of purchase location
2. Bar Code on side of box
3. Date above bar code
4. Date inside box cover

ALWAYS WEAR EYE PROTECTION WHEN OPERATING POWER TOOLS

HARDWARE

A.



1/4-20 X 5/16" BUTTON HEAD BOLT

QTY: 7

A1.



1/4-20 X 3/4" BUTTON HEAD BOLT

QTY: 5

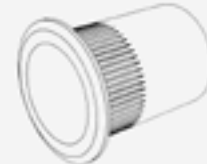
A2.



1/4" FLAT WASHER

QTY: 12

A3.



1/4-20" RIVET NUT

QTY: 5

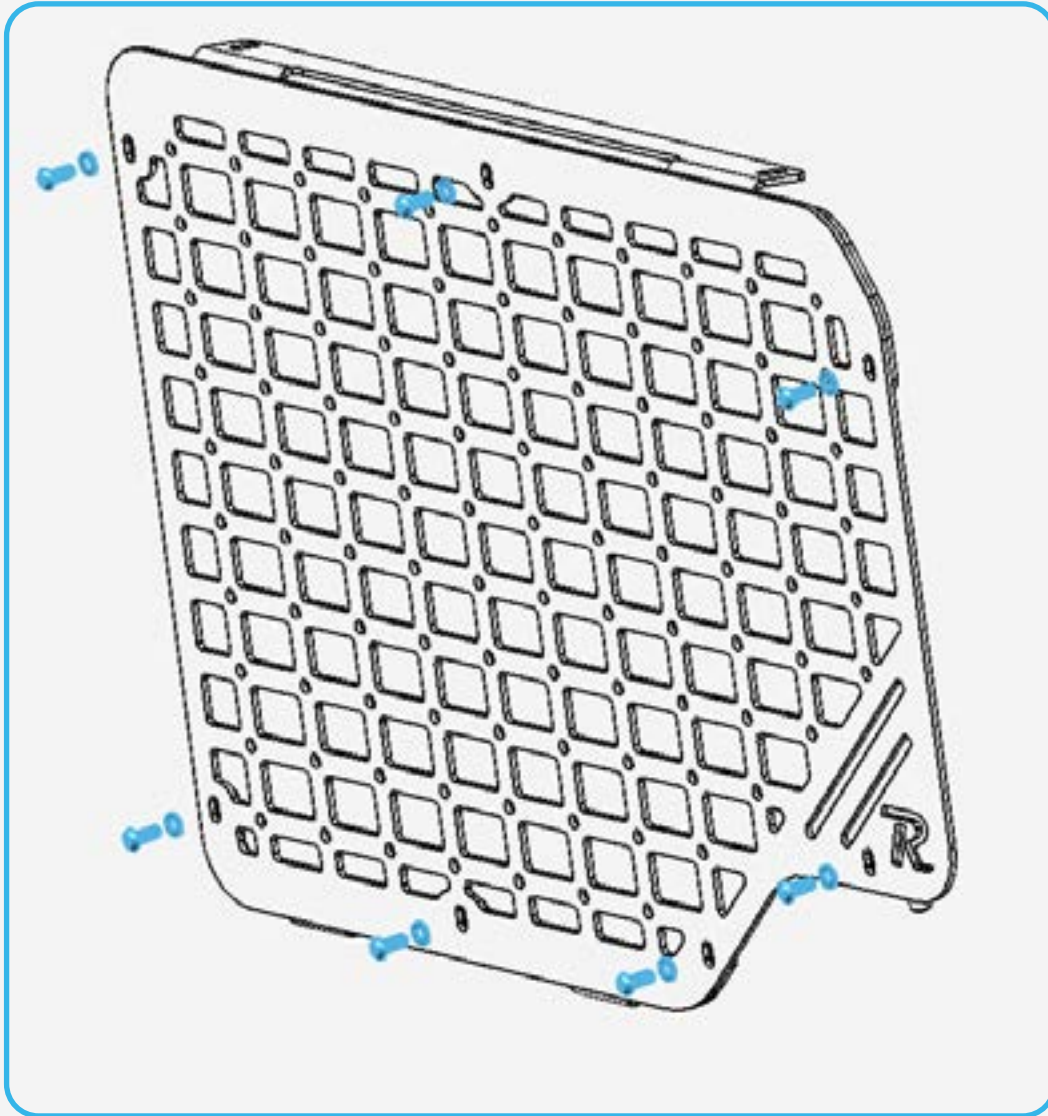
Reference this page throughout the install



INSTALLATION GUIDE

□ STEP 1

Using the provided (A, A2) 1/4" hardware loosely secure the mounting brackets to the molle panel.



□ STEP 2

Loosely position the MOLLE panel for best fitment and ensure even spacing on all sides, then mark the holes as shown below. You can now remove the MOLLE panel.



STEP 3

Using a 25/64 drill bit carefully drill on the points marked in step 2. Then use a rivet nut installation tool to install the provided (A3) 1/4-20 rivet nuts.

(For best alignment ensure consistent fitment on every point marked before drilling)

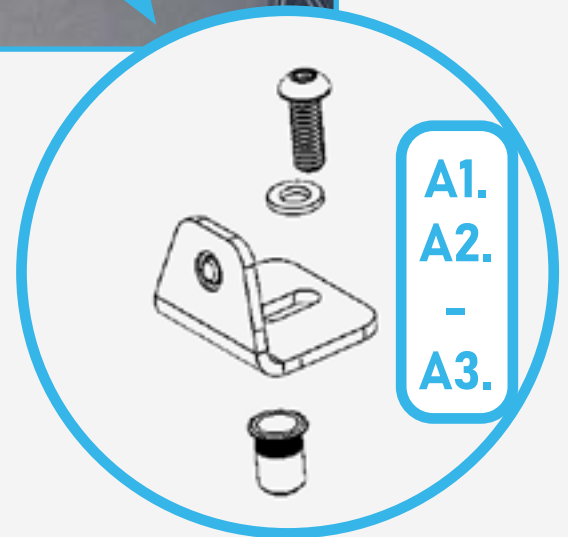
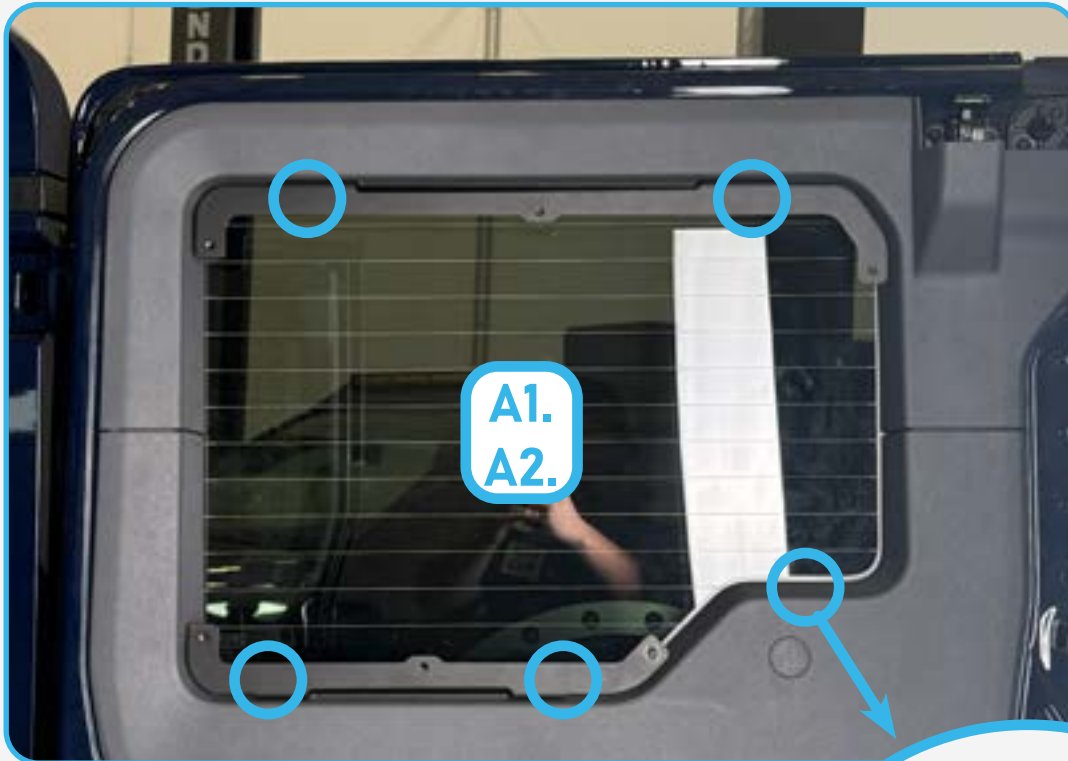


□ STEP 4

Using the provided [A1, A2] 1/4" hardware and a 5/32 allen, Install the [3] mounting brackets as shown below.

[Apply blue loctite to all hardware]

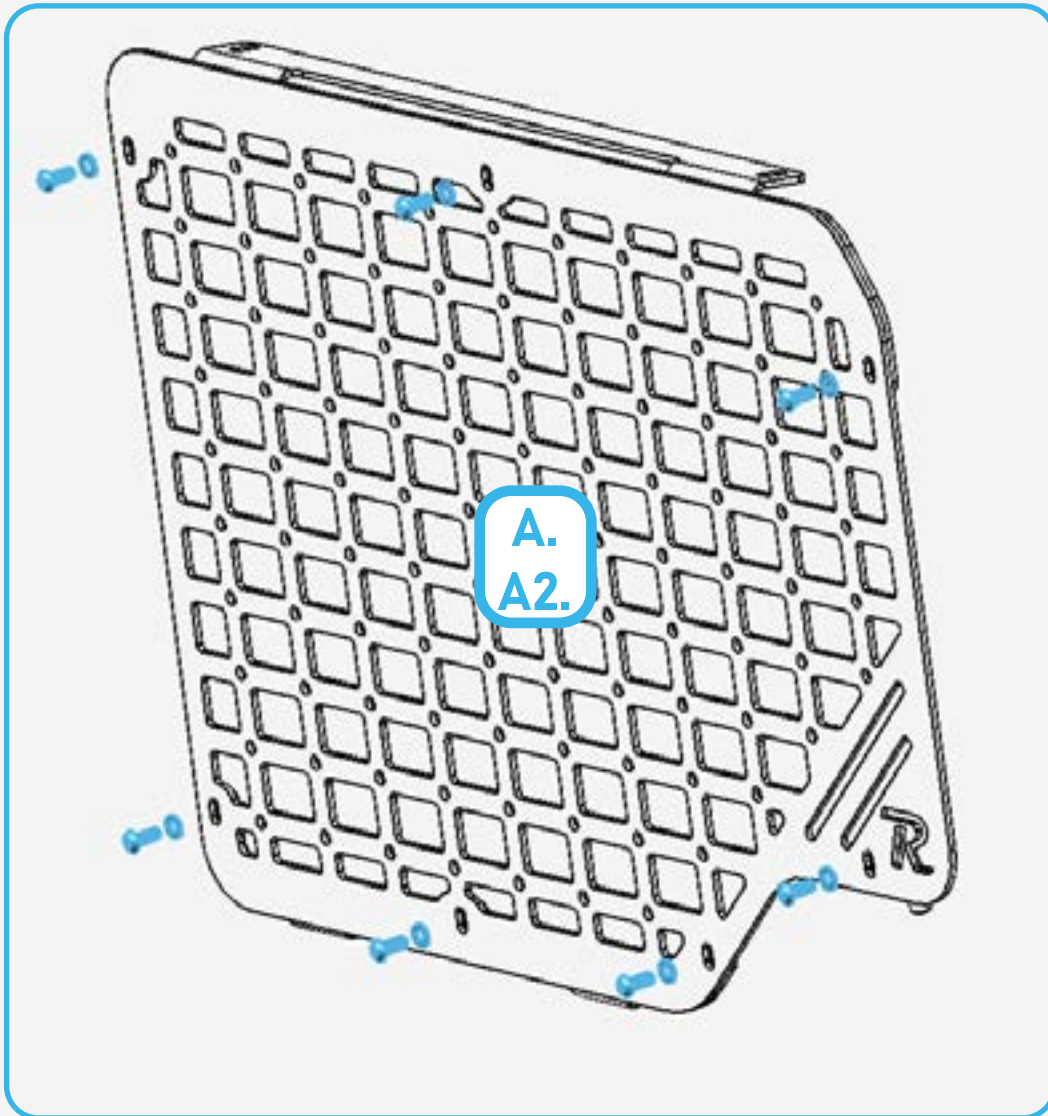
[Leave all bolts slightly loose at this time for adjustment.]



INSTALLATION GUIDE

□ STEP 5

Secure the molle panel to the brackets using the provided (A, A2) 1/4" hardware and a 5/32 allen. Adjust the molle panel and mounting brackets to desired fitment and then secure all hardware. (Apply blue loctite to all hardware)



STEP 6

Stand back and enjoy your new RAGO Passenger Rear Door MSP.

Check and re-tighten all mounting bolts after 100 miles and periodically thereafter.

