

AC6512101NA

2022-UP INEOS GRENADIER

RAGO REAR MSP SHELF – HIGH MOUNT



TOOLS REQUIRED

- 7/16 Sockets
- 7/16 Wrenches
- 5/32 Hex

SKILL LEVEL

- Easy

TIME REQUIRED

- Approximately 25 Minutes

WARNINGS/CAUTIONS BEFORE STARTING INSTALLATION

-BEFORE YOU INSTALL THIS KIT-

Read and understand all instructions, warnings, cautions, & notes contained in this installation instruction guide. Consult your vehicle owner's manual for proper disconnection of electrical and lifting of vehicle if required for installation of this product.

This install may require some technical skills and knowledge of basic mechanical work. If you do not feel that you are capable of performing this install please take this product to a trained professional.

After reading this guide please contact us with any questions or concerns before installing product.

Customer Service: 830-896-7571
Rago Fabrication is **not** responsible for any bodily injury or harm to you or your vehicle as a result of an improper install.

Proper installation of this kit required knowledge of the factory recommended procedures for removal and installation of original equipment components.

We recommend that the factory shop manual and any special tools needed to service your vehicle be on hand during the installation. Installation of this kit without proper knowledge of the factory recommended procedures may affect the

performance of these components and the safety of the vehicle. Inspect all contents of this package to make sure product is not damaged and all installation hardware has been included. If parts are missing from kit, please be prepared to provide the following information:

1. Name of purchase location
2. Bar Code on side of box
3. Date above bar code
4. Date inside box cover

***ALWAYS WEAR EYE PROTECTION
WHEN OPERATING POWER TOOLS***

HARDWARE

A.



1/4-20 X 1/2" BUTTON HEAD BOLT

QTY: 22

A1.



1/4-20 X 5/16" BUTTON HEAD BOLT

QTY: 4

A2.



1/4-20 X 3/4" BUTTON HEAD BOLT

QTY: 4

A3.



1/4" FLAT WASHER

QTY: 34

A4.



1/4-20" NYLON JAM NUT

QTY: 22

A5.



1/4-20" NYLON LOCK NUT

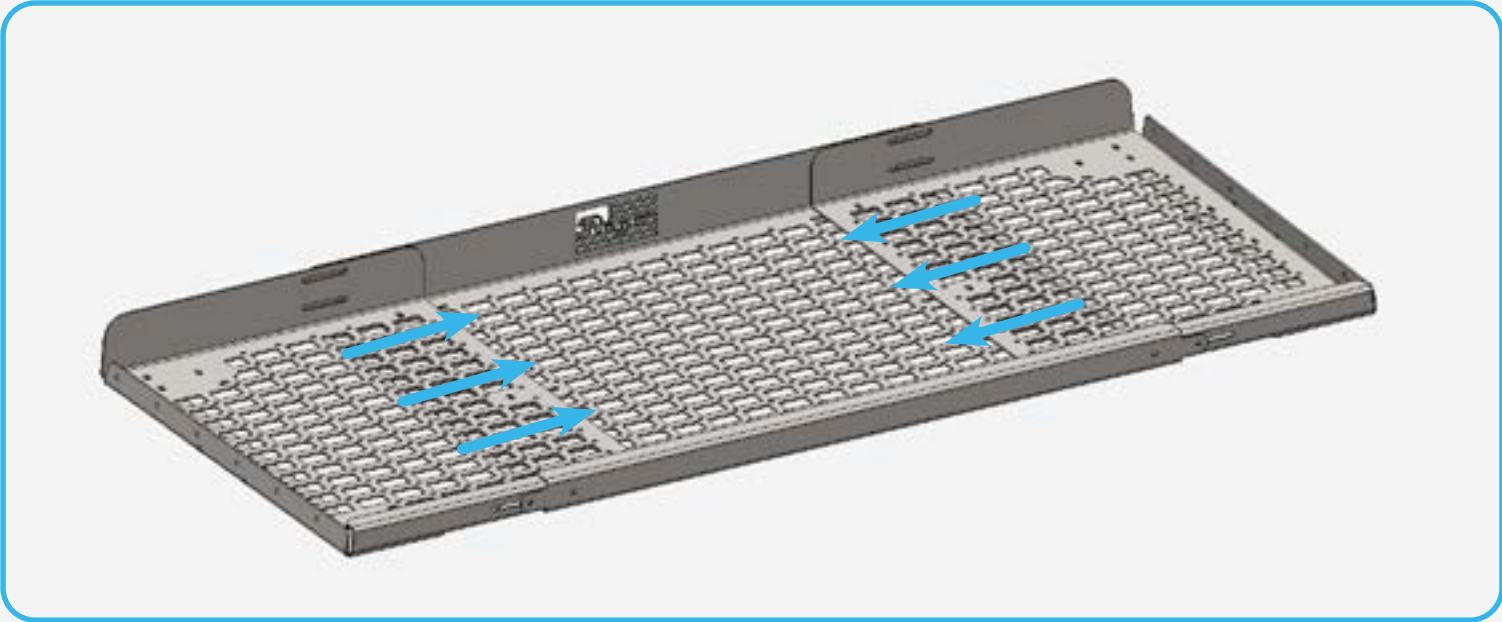
QTY: 8

Reference this page throughout the install



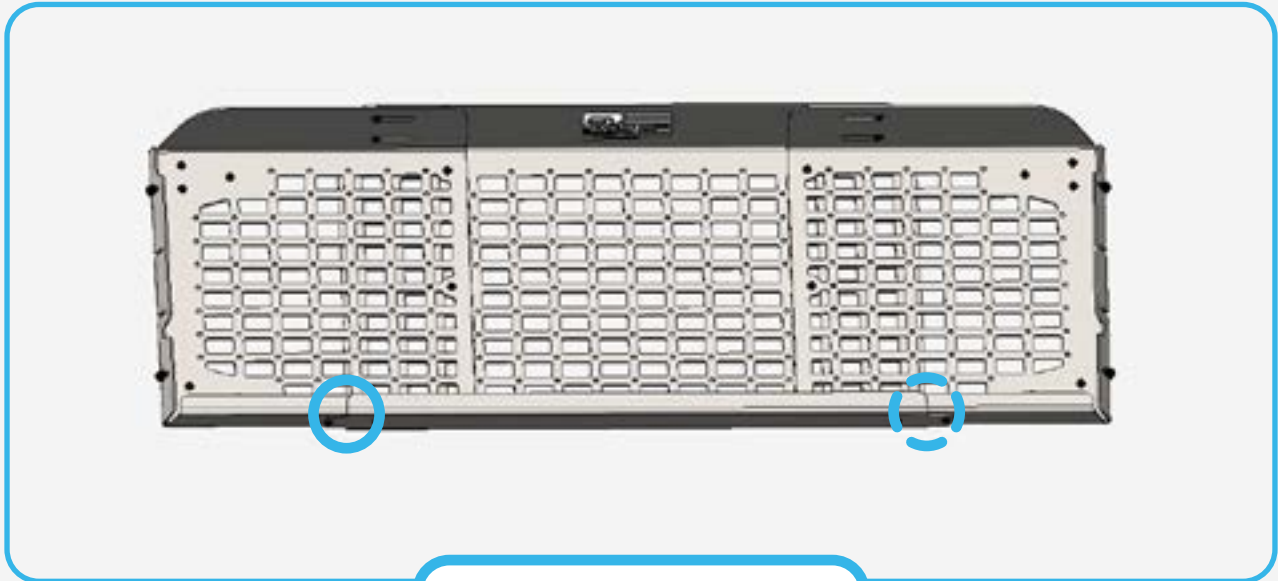
□ STEP 1

Locate the (3) pieces of the shelf and slip them into each other as shown below.

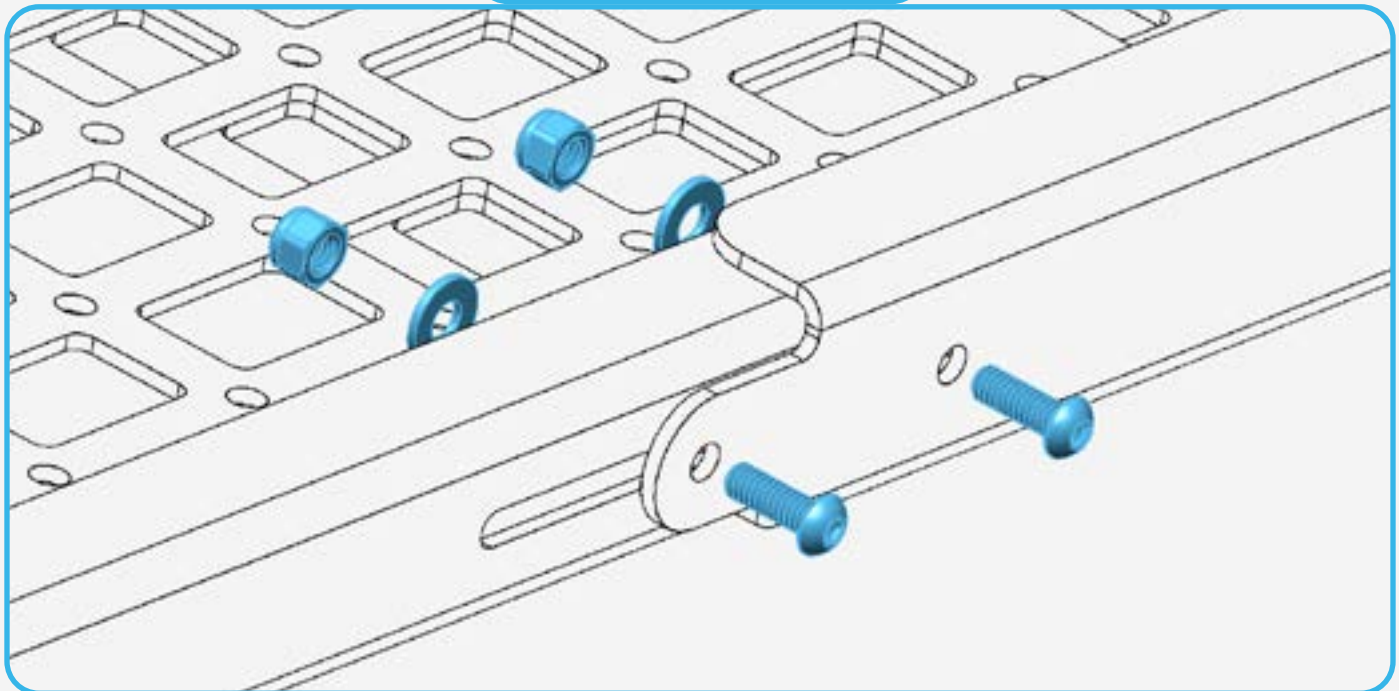


□ STEP 2

Using the provided (A2, A3, A5) 1/4" hardware, secure the front of the shelf using a (5/32 allen) and a (7/16 wrench).
(Leave loose for adjustments)



A5. A3. | A2.



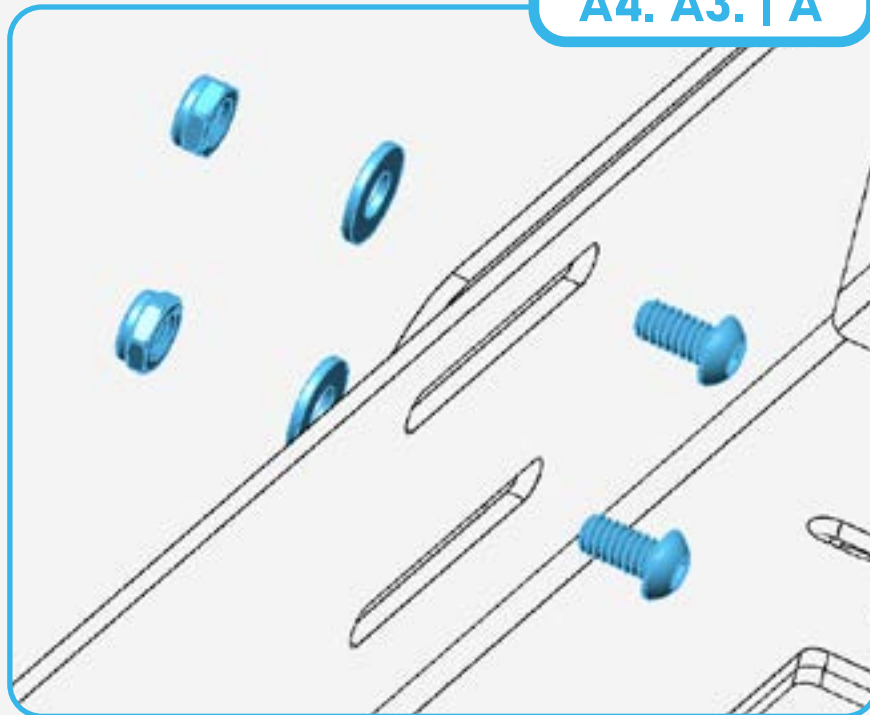
□ STEP 3

Using the provided (A, A3, A4) 1/4" hardware, secure the backside of the shelf using a (5/32 allen) and a (7/16 wrench).

(Leave loose for adjustments)



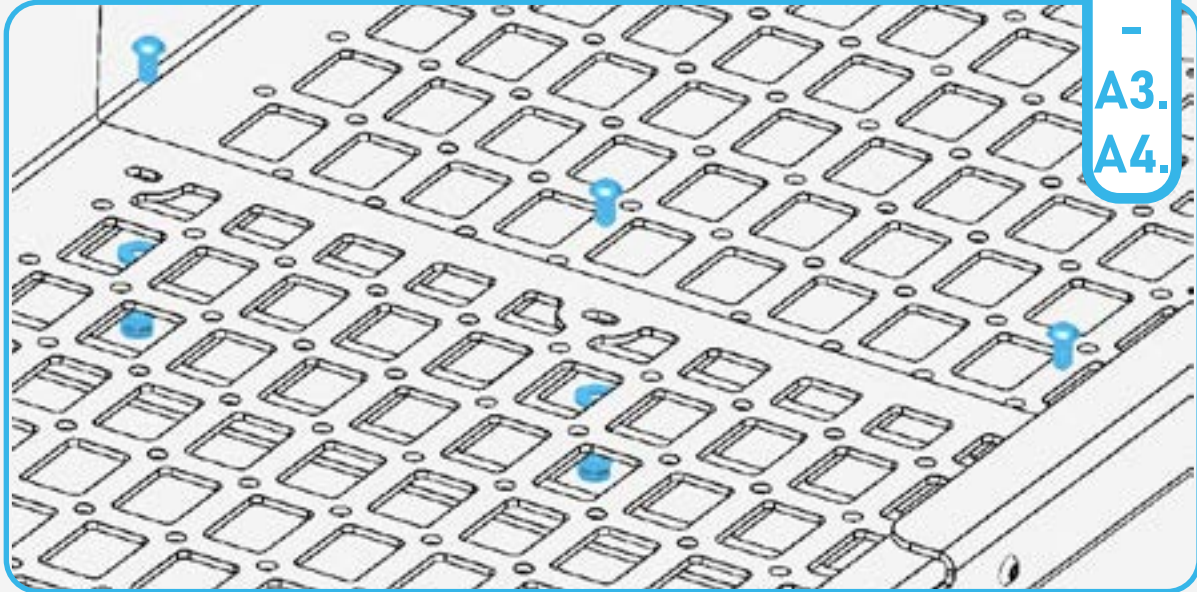
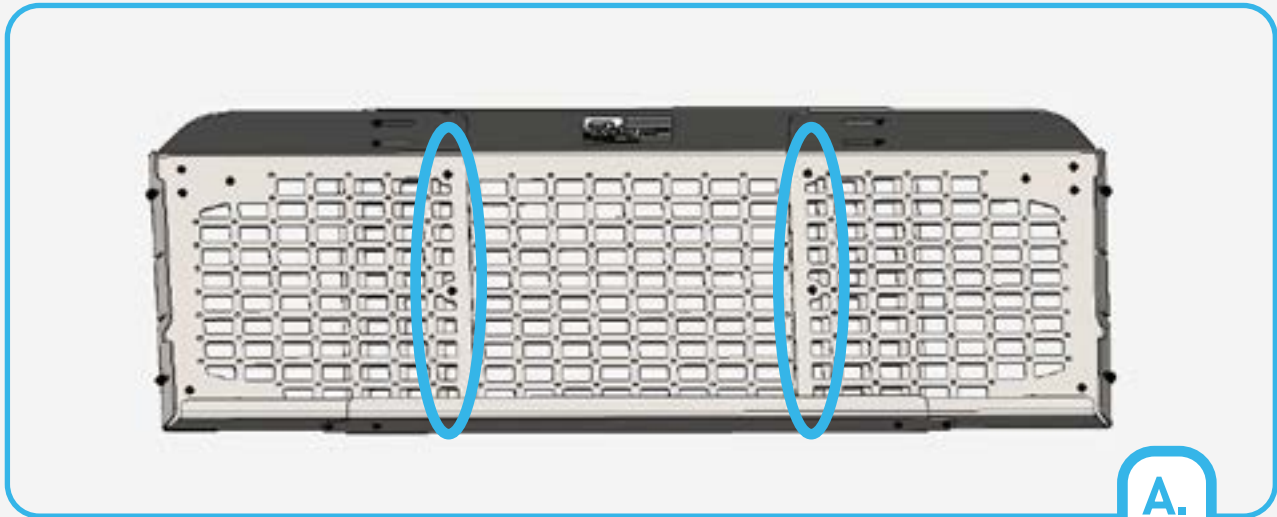
A4. A3. | A



□ STEP 4

Using the provided (A, A3, A4) 1/4" hardware, secure the middle of the shelf using a (5/32 allen) and a (7/16 wrench).

(Leave loose for adjustments)

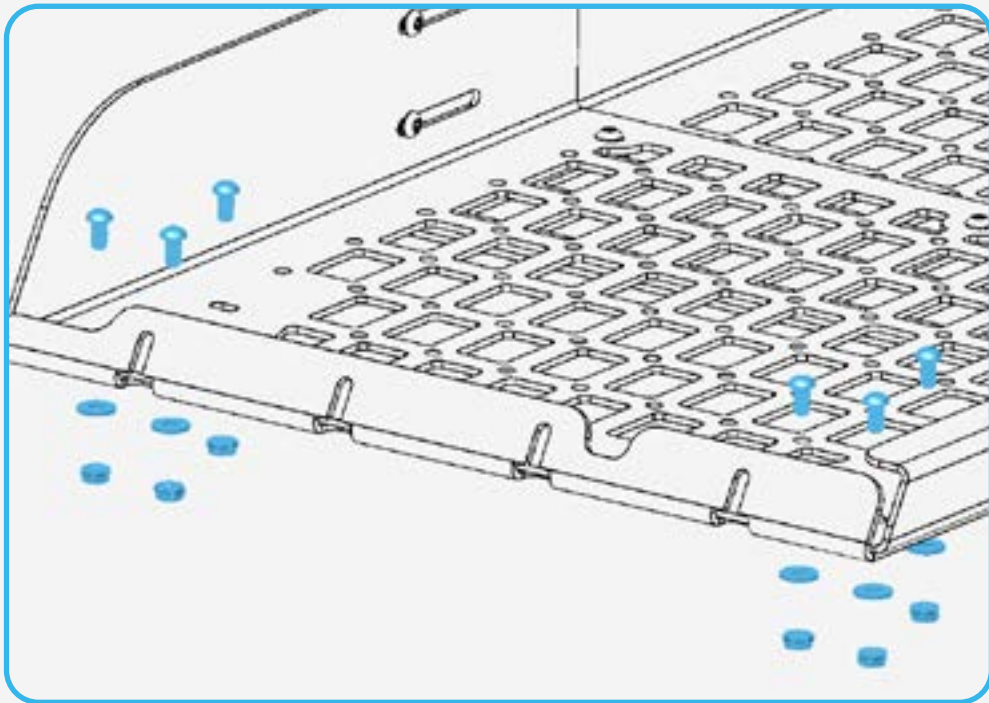


A.
-
A3.
A4.



□ STEP 5

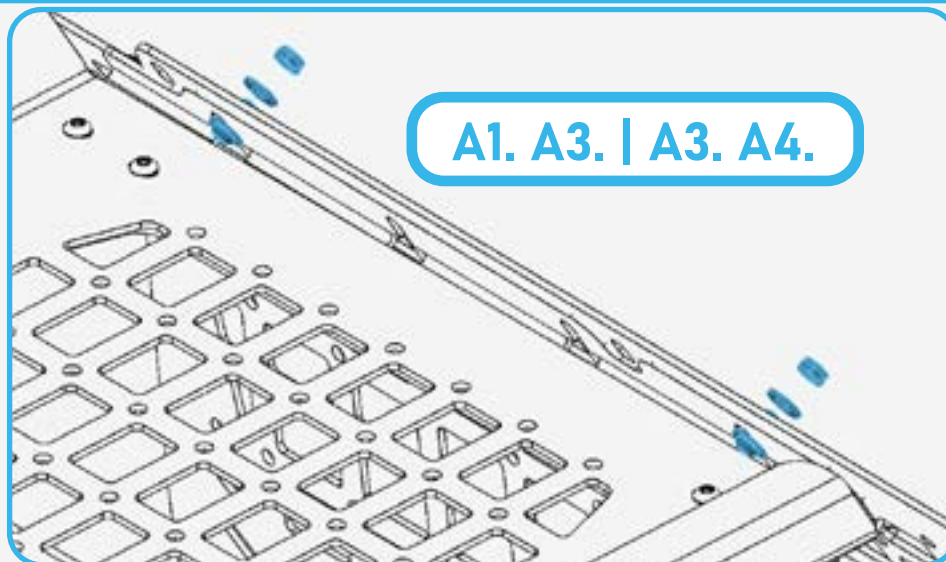
Using the provided (A, A3, A4) 1/4" hardware, secure the mounting brackets to the shelf using a (5/32 allen) and a (7/16 wrench).
(Leave loose for adjustments)



□ STEP 6

Loosely install the provided [A1, A2, A4] 1/4" hardware in any of the (3) positions indicated below. Then carefully slip the mounting brackets onto the 1/4" hardware and tighten using a (7/16 wrench) and a (5/32 allen).

(You can now tighten all hardware)



STEP 7

Stand back and enjoy your new RAGO Rear Shelf.

Check and re-tighten all mounting bolts after 100 miles and periodically thereafter.

