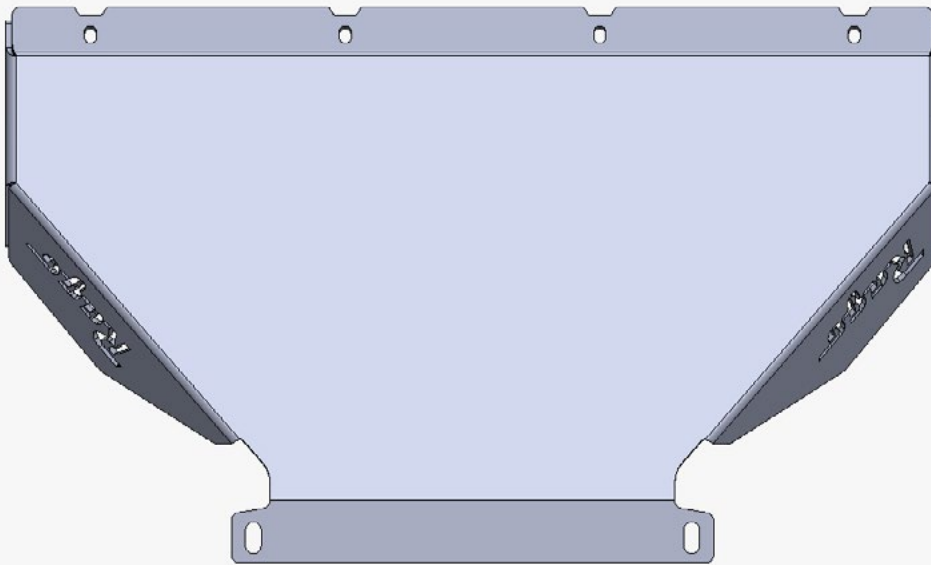


## CENTER MOUNT SKID PLATE 2024/TOYOTA TACOMA AC6706903NA



### **TOOLS REQUIRED**

- 12mm socket
- 7/32 Allen

### **SKILL LEVEL**

- Easy

### **TIME REQUIRED**

- Approximately 10 Minutes

## **WARNINGS/CAUTIONS BEFORE STARTING INSTALLATION**

### **-BEFORE YOU INSTALL THIS KIT-**

Read and understand all instructions, warnings, cautions, & notes contained in this installation instruction guide. Consult your vehicle owner's manual for proper disconnection of electrical and lifting of vehicle if required for installation of this product.

This install may require some technical skills and knowledge of basic mechanical work. If you do not feel that you are capable of performing this install please take this product to a trained professional.

After reading this guide please contact us with any questions or concerns before installing product.

Customer Service: 830-896-7571  
Rago Fabrication is not responsible for any bodily injury or harm to you or your vehicle as a result of an improper install.

Proper installation of this kit required knowledge of the factory recommended procedures for removal and installation of original equipment components.

We recommend that the factory shop manual and any special tools needed to service your vehicle be on hand during the installation. Installation of this kit without proper knowledge of the factory recommended procedures may affect the

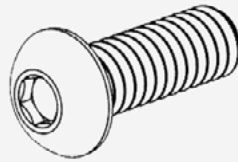
performance of these components and the safety of the vehicle. Inspect all contents of this package to make sure product is not damaged and all installation hardware has been included. If parts are missing from kit, please be prepared to provide the following information:

1. Name of purchase location
2. Bar Code on side of box
3. Date above bar code
4. Date inside box cover

**\*ALWAYS WEAR EYE PROTECTION  
WHEN OPERATING POWER TOOLS\***

## HARDWARE

A.

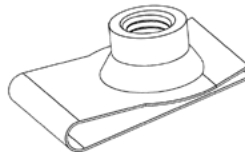


3/8-16 X 1" BUTTON HEAD BOLT

**QTY: 4**

**HARDWARE FROM F6703651001NA**

A1.



3/8-16" U-Nut

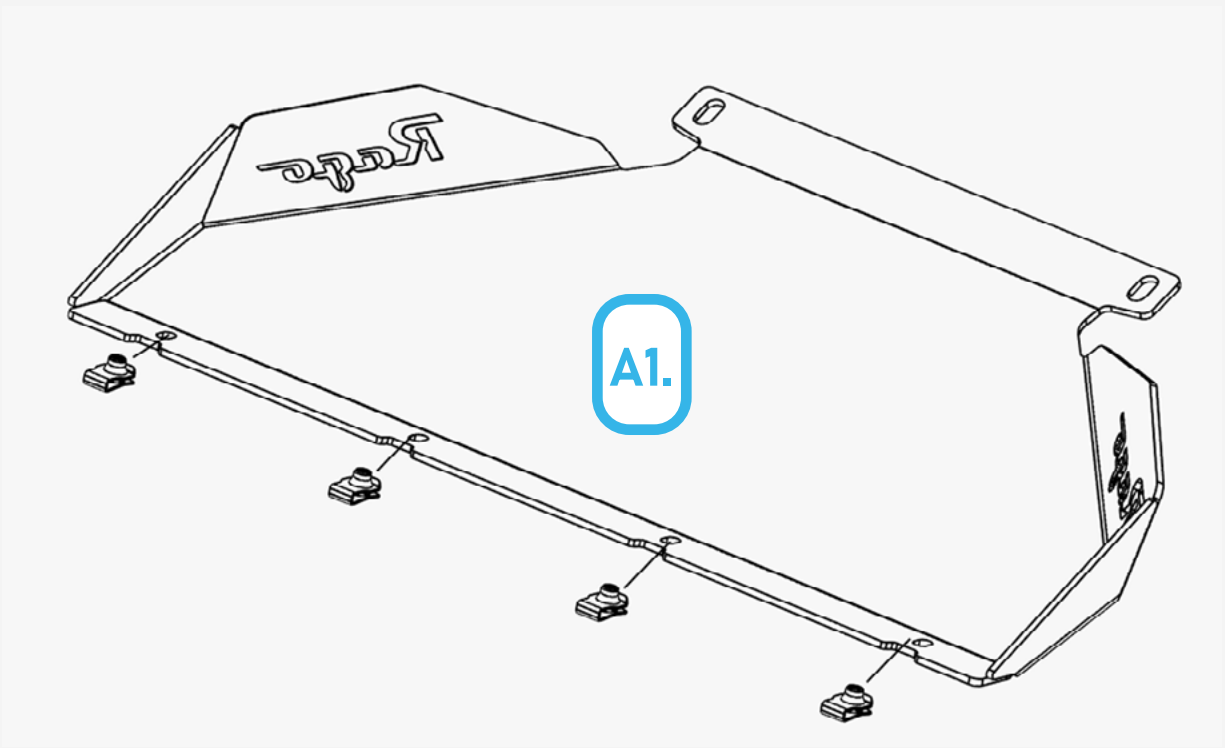
**QTY: 4**

**Reference this page throughout the install**



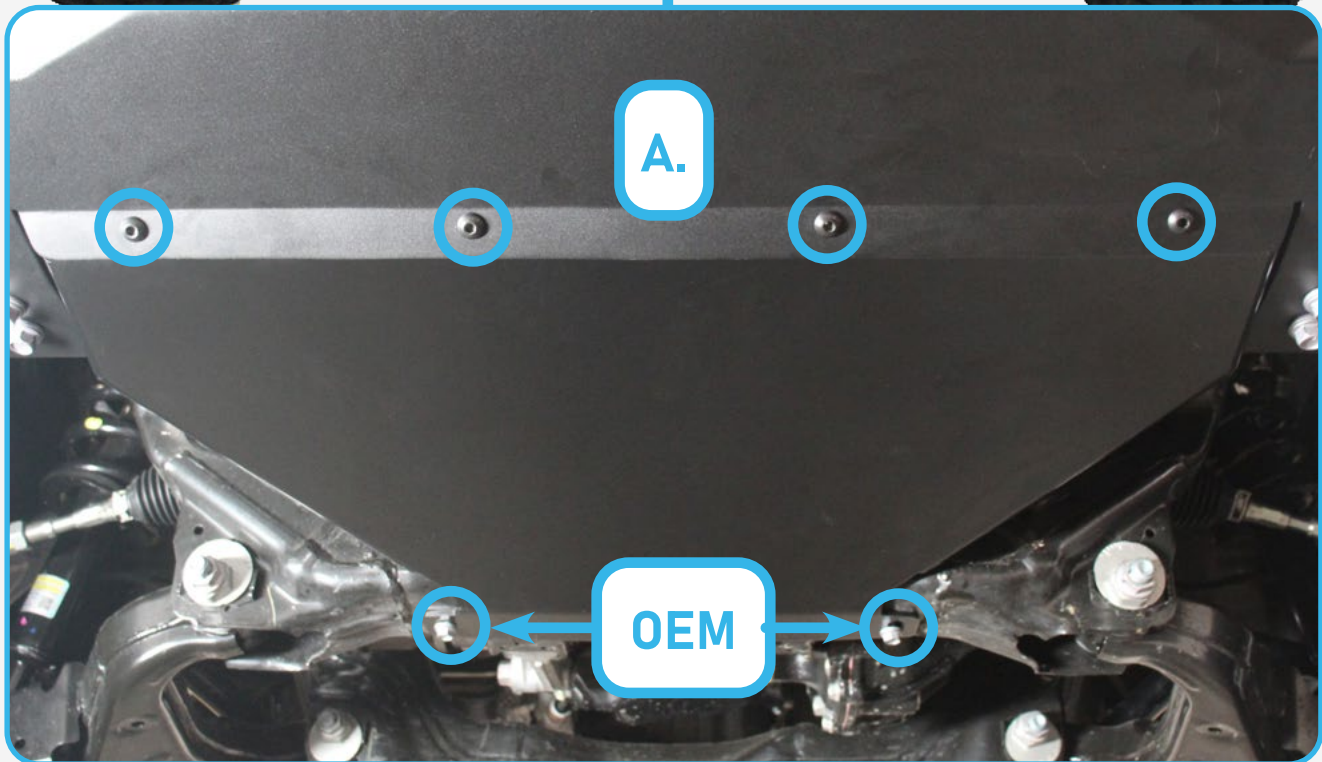
## □ STEP 1

Install the provided (A1) 3/8 nut clips onto the skid plate as shown below.



## □ STEP 2

Install the skid plate behind the bottom flange on the front bumper with the provided (A) 3/8" button head bolts from the Center mount front bumper using a (7/32 allen). Next install the OEM hardware removed from the stock skid plate using a (12mm socket).



## STEP 3

Stand back and enjoy your new RAGO Center Mount Skid Plate.

Check and re-tighten, all mounting bolts after 100 miles and periodically thereafter.

