

FULL WIDTH FRONT BUMPER WITH WINCH MOUNT FOR TRAIL HUNTER AND TRD PRO

**2025-UP/TOYOTA 4RUNNER
F7105131601NA**



TOOLS REQUIRED

- 10mm, 12mm, 17mm, 1/2, 9/16, 3/4 Sockets
- 10mm, 12mm, 17mm, 1/2, 9/16, 3/4 Wrenches
- Fastener Removal Tool or Flathead Screwdriver
- Phillips Screwdriver
- 5/32, 3/16 Allen
- Grinder/Jigsaw
- Masking Tape
- Tape Measure



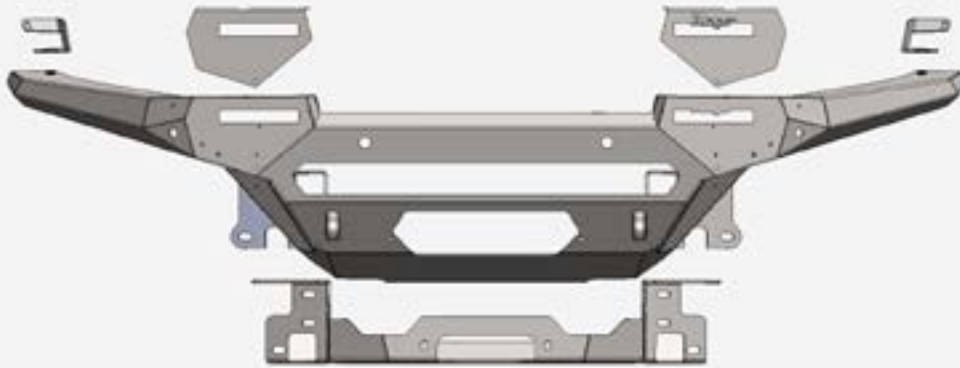
SKILL LEVEL

- Medium/Skilled



TIME REQUIRED

- Approximately 7 Hours



⚠ WARNINGS/CAUTIONS BEFORE STARTING INSTALLATION ⚠

-BEFORE YOU INSTALL THIS KIT-

Read and understand all instructions, warnings, cautions, & notes contained in this installation instruction guide. Consult your vehicle owner's manual for proper disconnection of electrical and lifting of vehicle if required for installation of this product.

This install may require some technical skills and knowledge of basic mechanical work. If you do not feel that you are capable of performing this install please take this product to a trained professional.

After reading this guide please contact us with any questions or concerns before installing product.

Customer Service: 830-896-7571
Rago Fabrication is not responsible for any bodily injury or harm to you or your vehicle as a result of an improper install.

Proper installation of this kit required knowledge of the factory recommended procedures for removal and installation of original equipment components.

We recommend that the factory shop manual and any special tools needed to service your vehicle be on hand during the installation. Installation of this kit without proper knowledge of the factory recommended procedures may affect the

performance of these components and the safety of the vehicle. Inspect all contents of this package to make sure product is not damaged and all installation hardware has been included. If parts are missing from kit, please be prepared to provide the following information:

1. Name of purchase location
2. Bar Code on side of box
3. Date above bar code
4. Date inside box cover

***ALWAYS WEAR EYE PROTECTION
WHEN OPERATING POWER TOOLS***

HARDWARE

A.



1/4-20 X 3/4" BUTTON HEAD BOLT

QTY: 6

A1.



M6 FLAT WASHER

QTY: 6

A2.



1/4-20" RIVET NUT

QTY: 6

B.



5/16-18 X 1" BUTTON HEAD BOLT

QTY: 6

B1.



M8 FLAT WASHER

QTY: 6

C.



5/16-18" NYLON LOCK NUT

QTY: 6

D.



3/8-16 X 1" CARRIAGE BOLT

QTY: 4

D1.



3/8" FLAT WASHER

QTY: 4

D2.



3/8-16" NYLON LOCK NUT

QTY: 4

E.



1/2-13 X 1 1/2" HEX HEAD BOLT

QTY: 10

E1.



1/2" FLAT WASHER

QTY: 20

E2.



1/2-13" NYLON LOCK NUT

QTY: 10

F.



1/2" SENSOR GROMMET

QTY: 2

F1.



1/2" SENSOR GROMMET PLUG

QTY: 2

F2.



3/4" SENSOR GROMMET

QTY: 2

F3.



3/4" SENSOR GROMMET PLUG

QTY: 2



HARDWARE

G.



M6-1.00 X 20MM BUTTON HEAD BOLT

QTY: 4

G1.



1/2" SPACER

QTY: 4



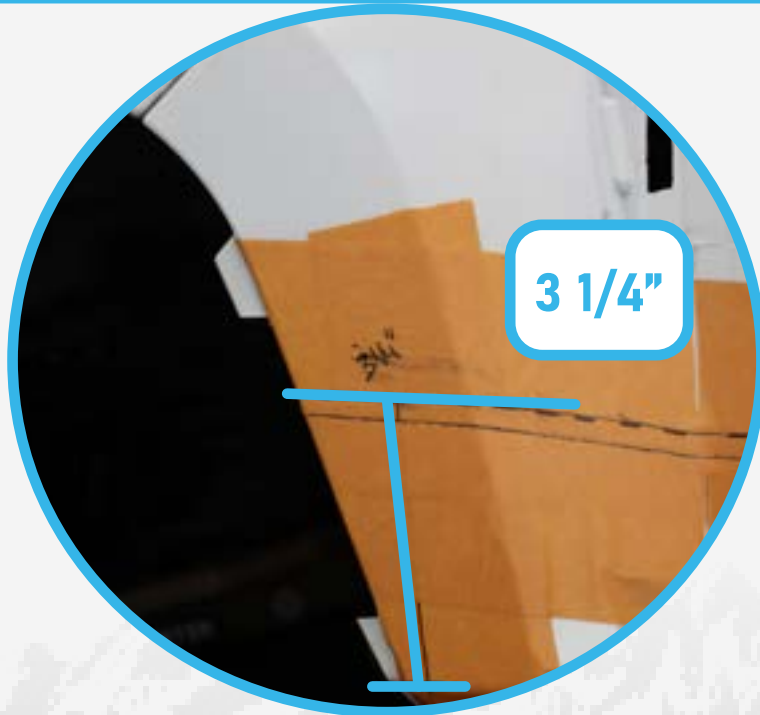
STEP 1

Using masking tape, map out the body lines as shown below.



STEP 2

On the fender flairs, measure from the corner of the vent as shown below down 7/8" and mark.



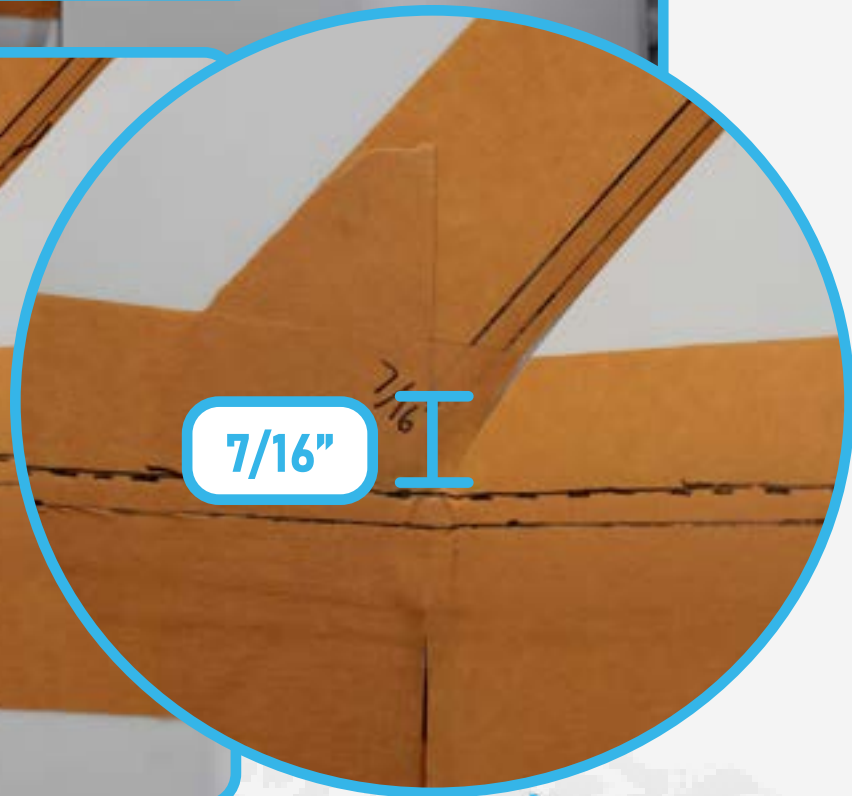
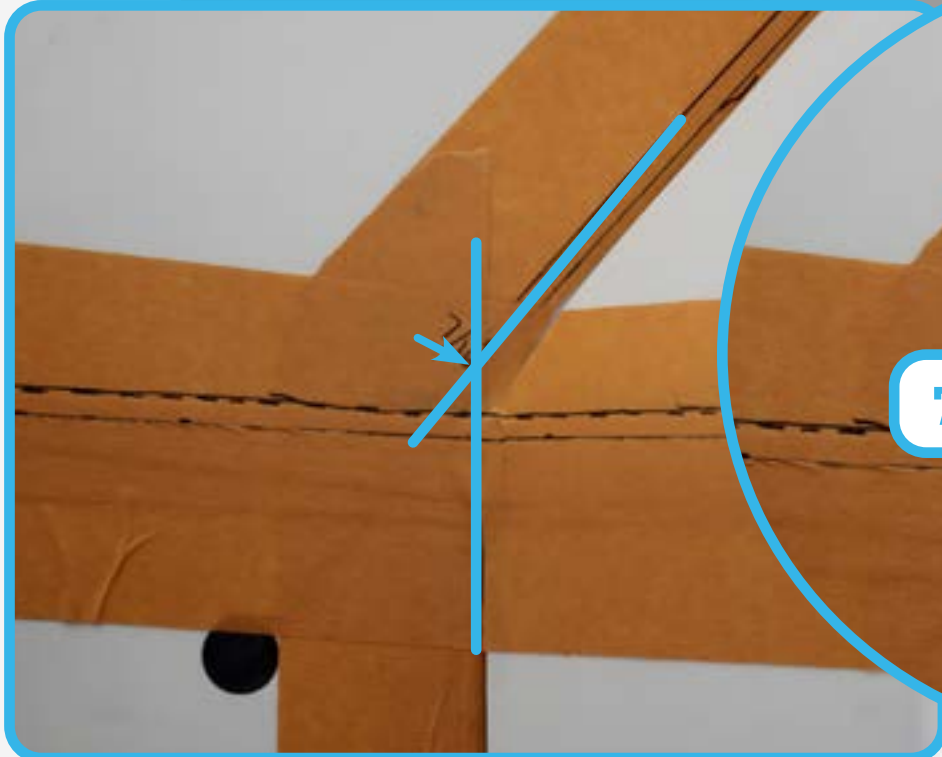
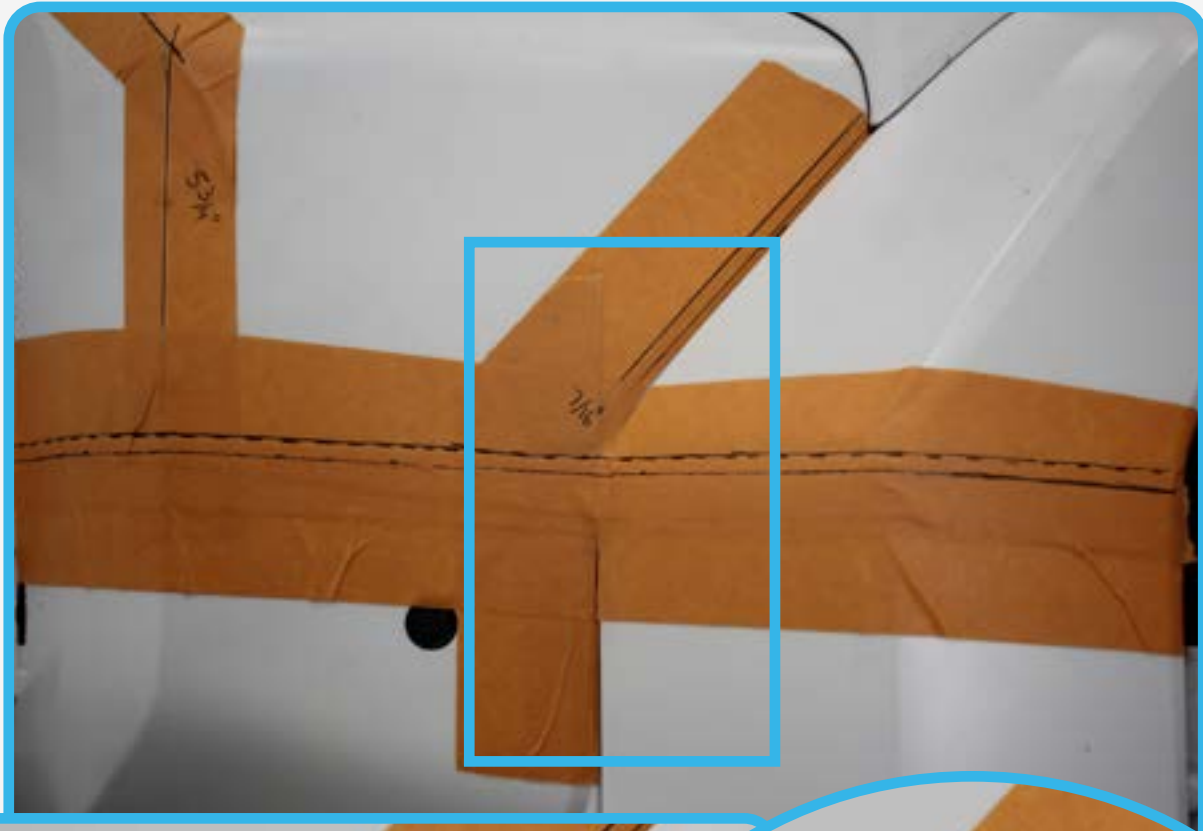
STEP 3

Next, shown below is the body lines underneath of the headlight. Ensure to measure down from the intersection between both body lines 5-3/4" and mark.



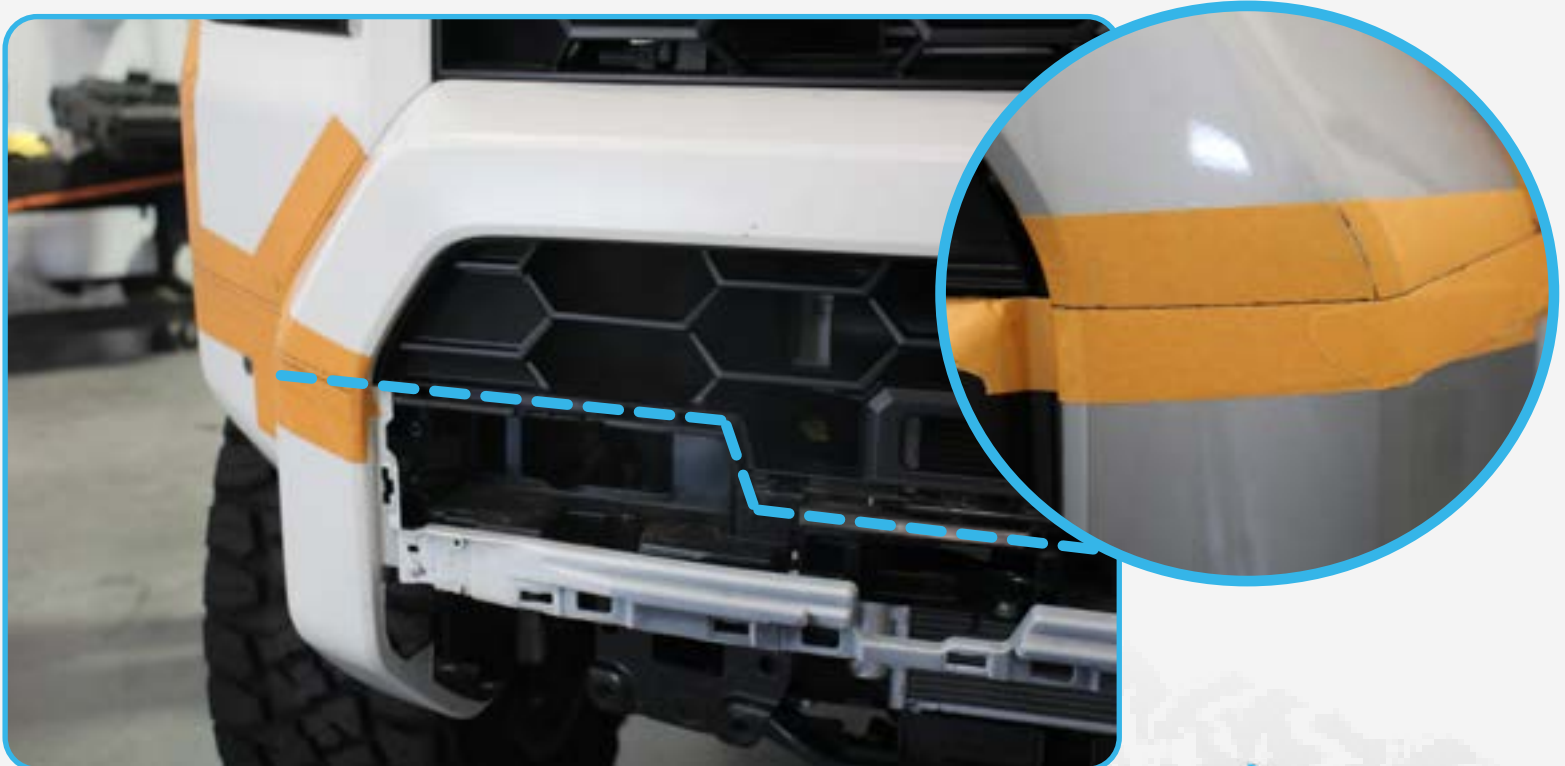
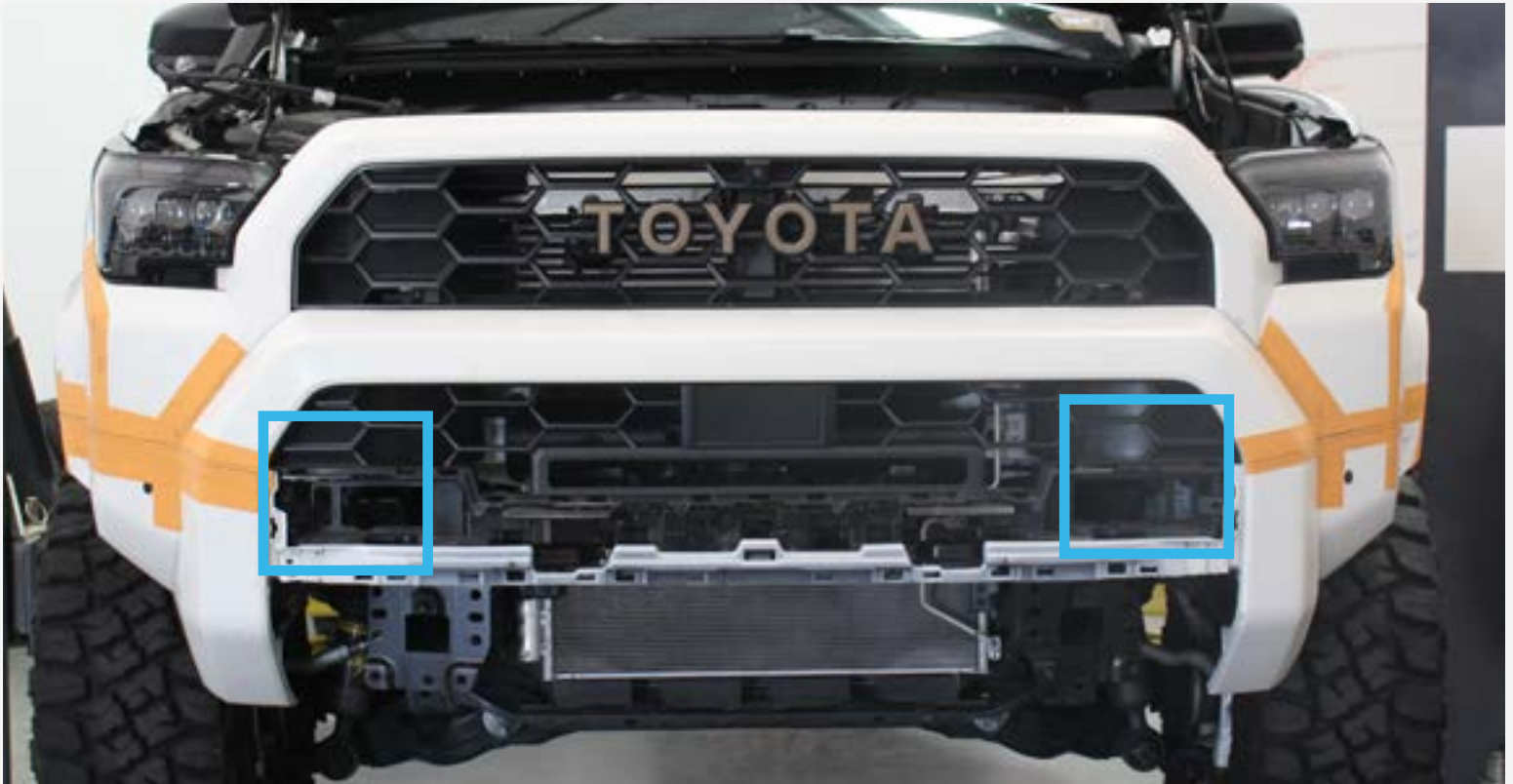
STEP 4

Find the intersection between both body lines shown below and measure down 7/16" and mark.



STEP 5

Mark a straight line across the front face highlighted below based off the plastic that is above the fog lights.



STEP 6

Using some sort of a straight edge, connect the marks to make a rough cut line.



STEP 7

Using a (10mm socket) or a (Philips head Screwdriver), Remove the air dam hardware as shown below.



STEP 8

Using a (10mm socket) or a (Philips head Screwdriver), Remove the air dam hardware located in the wheel well as shown below.



STEP 9

Using a (12mm Socket), Remove the skid plate. **(Keep hardware for installation of skid plate)**



STEP 10

Using a (10mm socket), remove the 2x bolts located near the center of the front bumper as shown below.



STEP 11

Open the hood and remove the 12x push pins by pushing the center down to release. Remove covers and set aside.



STEP 12

Using a (10mm socket) remove the 3x bolts as shown below.



STEP 13

Unplug the wiring harness and front camera plugs located on driver and passenger side.



STEP 14

Using a (flathead screwdriver) and a (10mm socket), remove the 4x bolts as shown below on each side located inside the wheel well.



STEP 15

Pull the fender flair outwards to separate the bumper and grill from the inner fender liner.



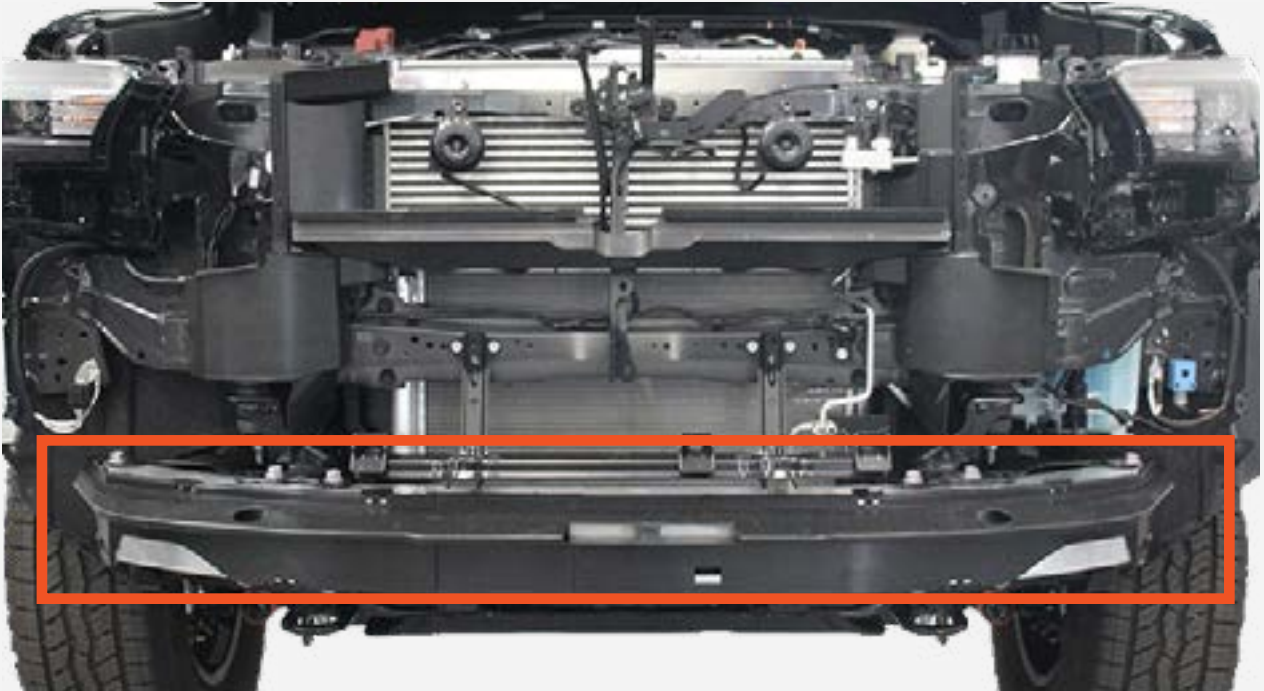
STEP 16

Using a (10mm socket), remove the bolts located behind the fender flare as shown below. You can now remove the bumper/grill assembly.



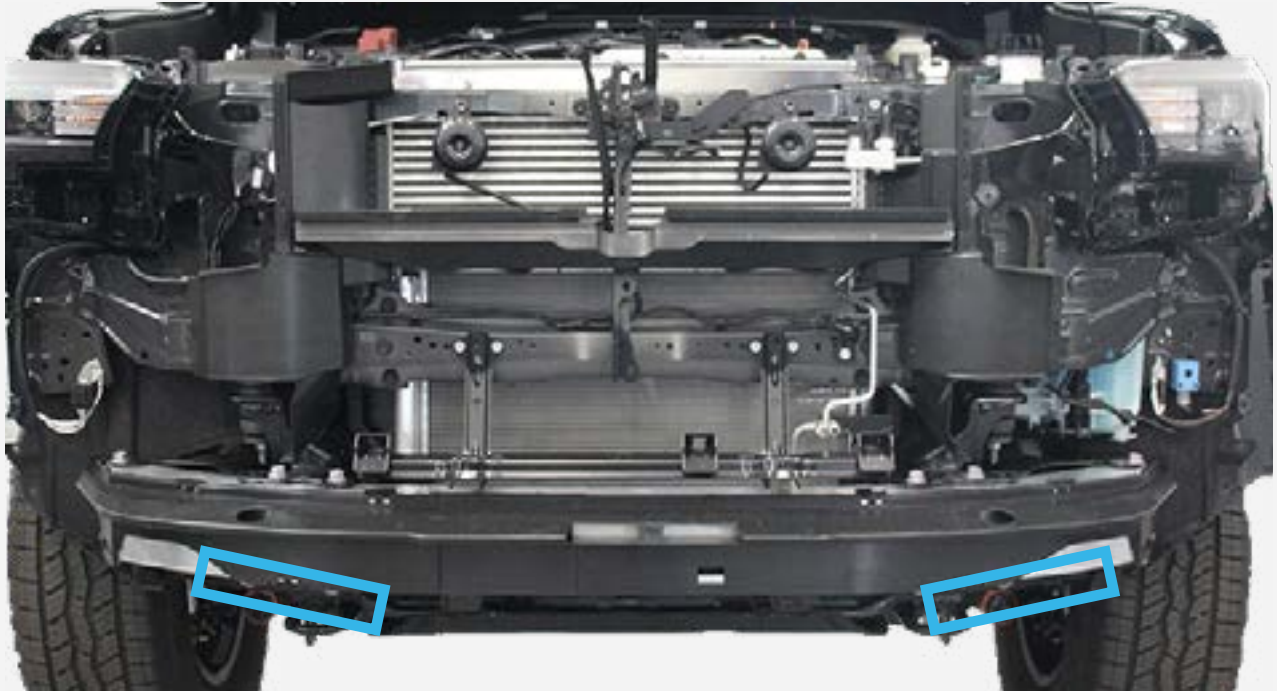
STEP 17

Remove the crash bar cover, Next using a (17mm socket), remove the 4x bolts located on top of the crash bar as shown below.



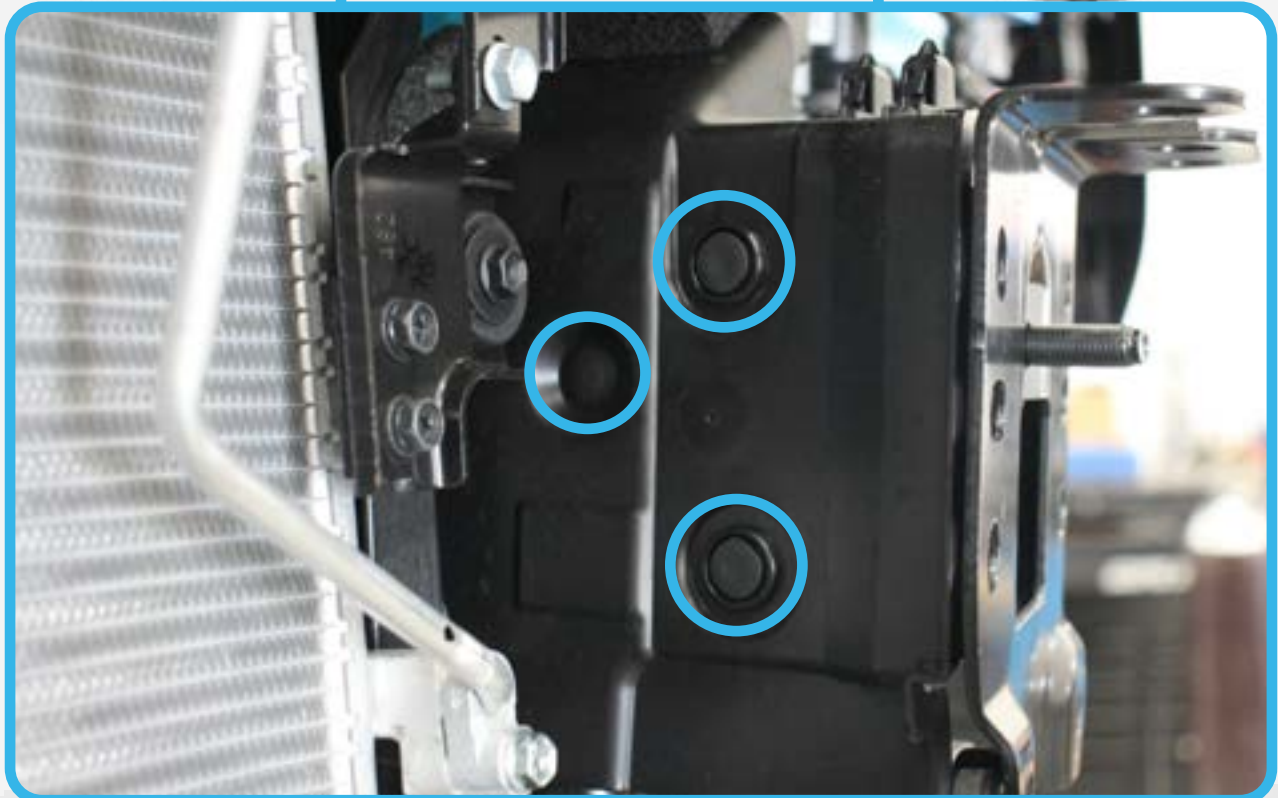
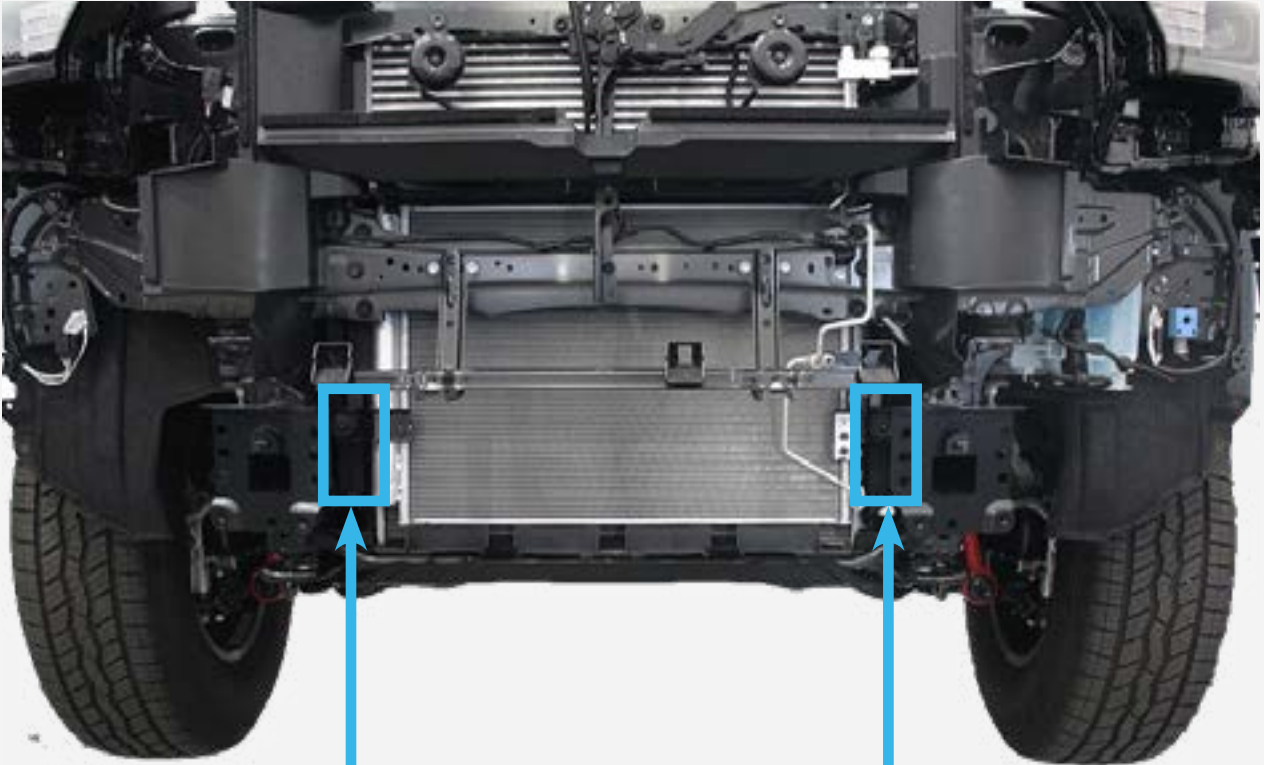
STEP 18

Using a (17mm socket), remove the 4x bolts located under the crash bar as shown below. You can now remove the crash bar.



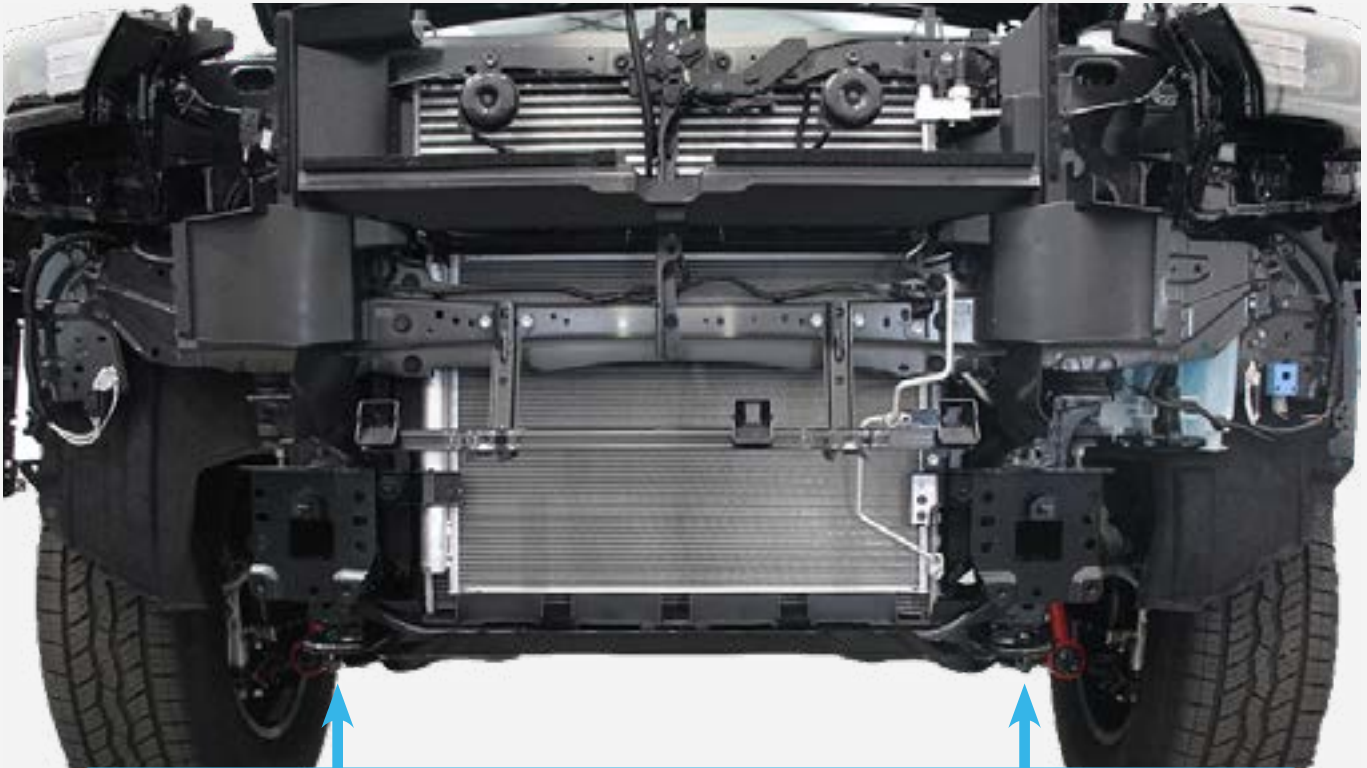
STEP 19

Using a (flat head screwdriver), remove the 6x push pins holding the lower shroud located on the inside of the frame rails in front of the intercooler.



STEP 20

Using a (17mm socket), Remove the tow hooks as shown below.



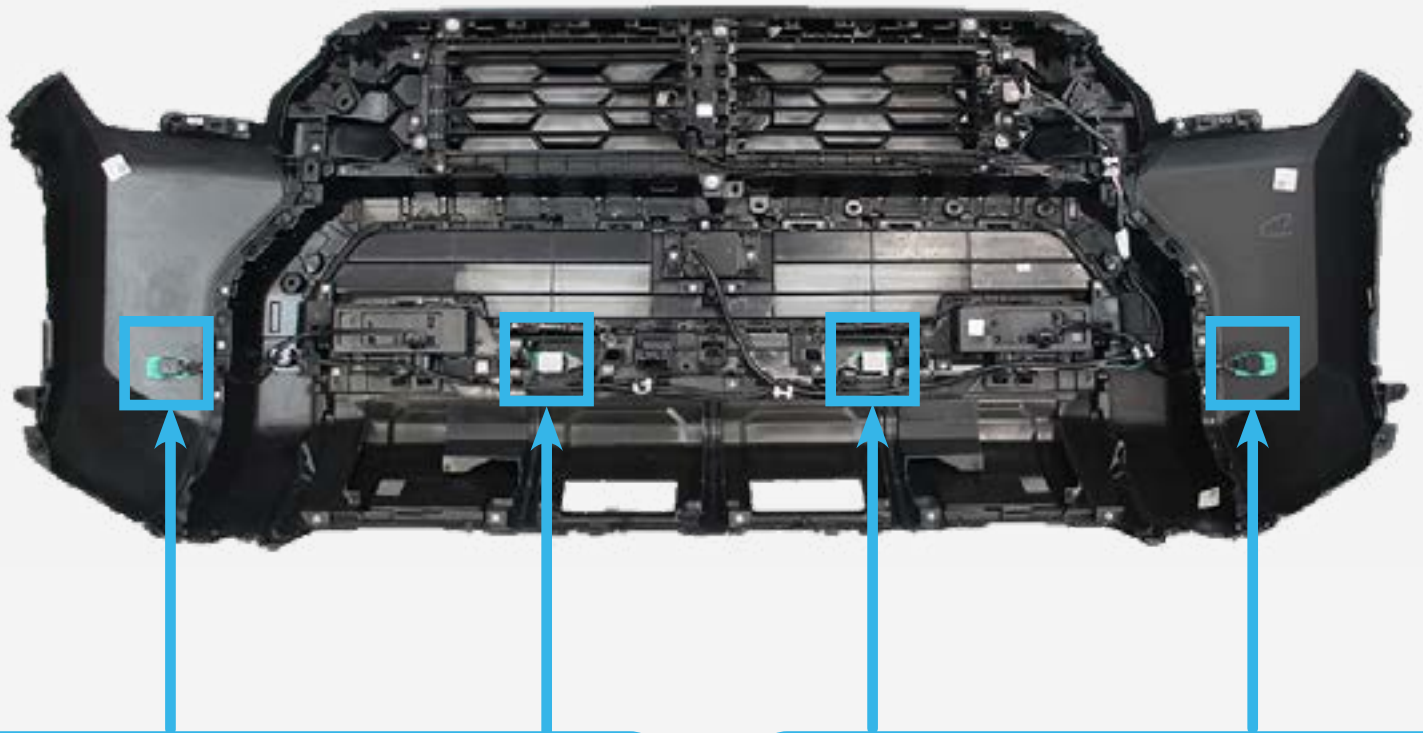
STEP 21

Remove the clips from the bottom of the grill as shown below using a (flathead screwdriver) or a (fastener removal tool).



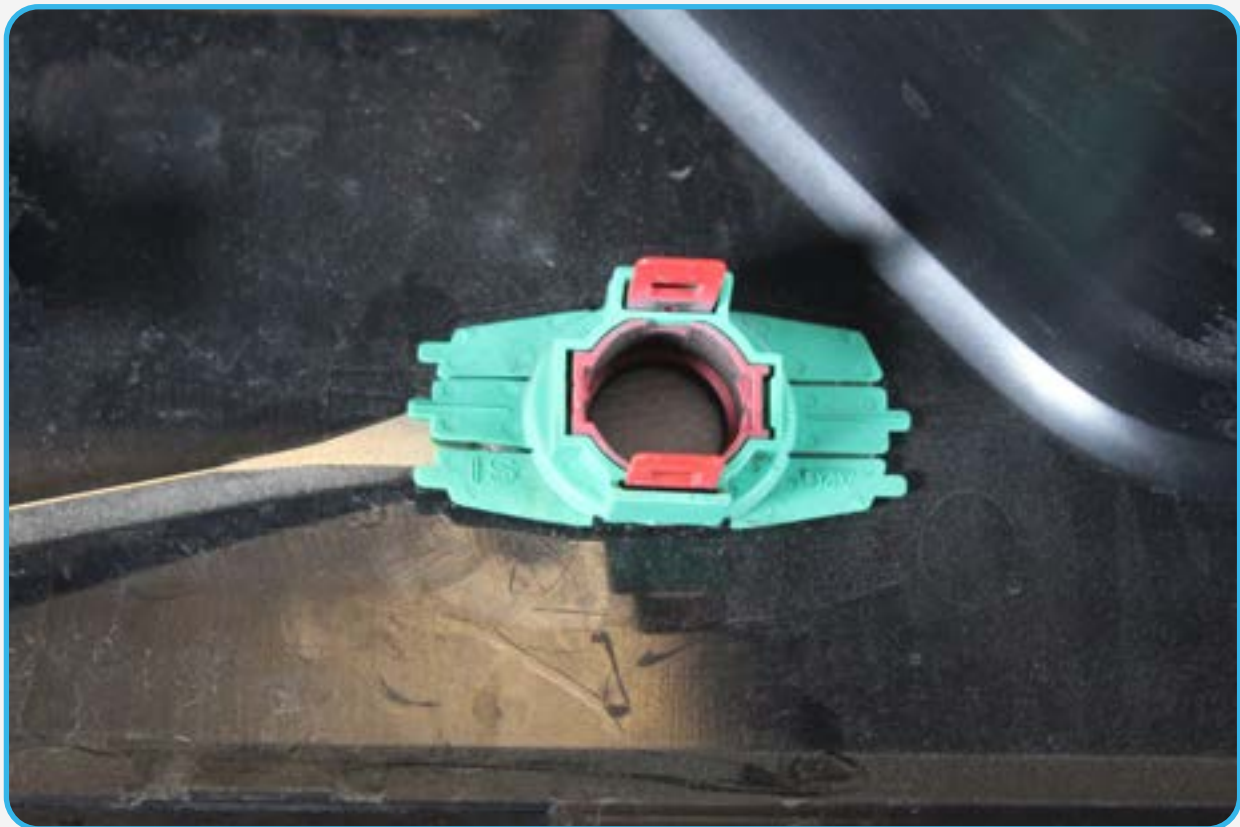
STEP 22

Remove the sensor cover by squeezing the tabs as shown below. Next, remove the sensor from the bezel by spreading the tabs as shown below. ****CAUTION tabs are fragile, pry gently****



STEP 23

Use a (heat gun) to soften adhesive and use (flathead screwdriver) remove the inner sensor bezels from the OEM bumper. ****Keep for install****



STEP 24

Remove double sided tape from the bezel until the surface is clear of residue.

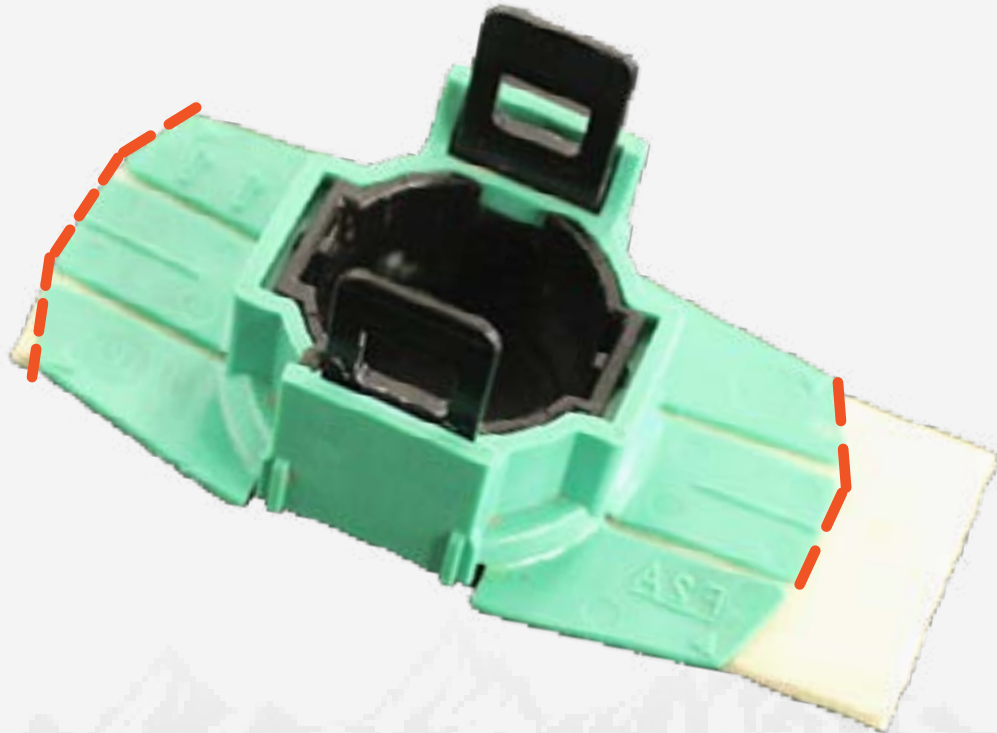
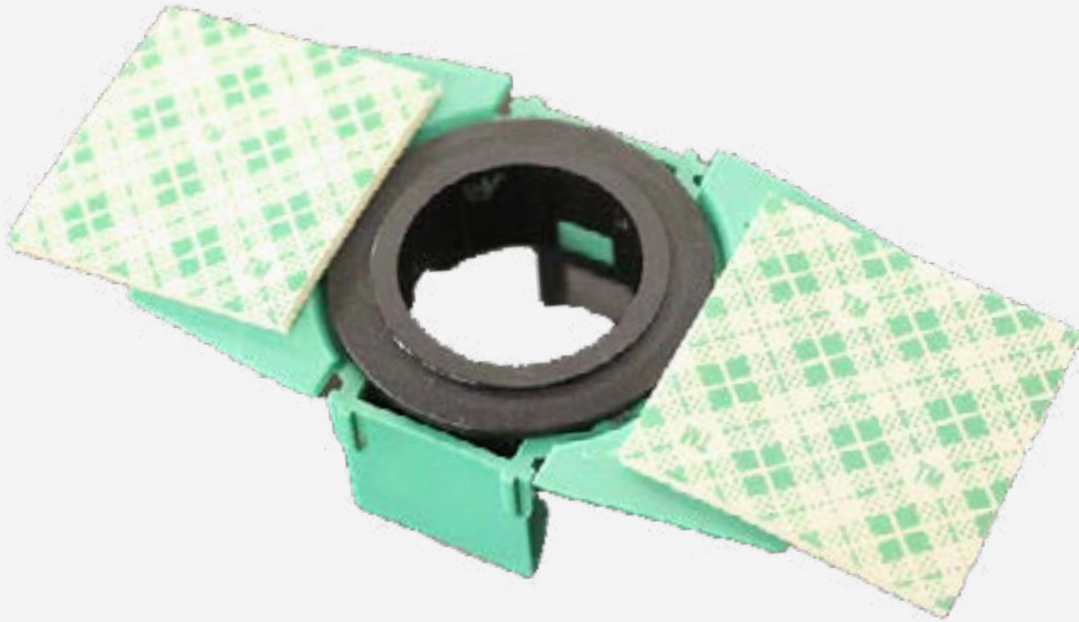
Tec tip: Use a razor blade or brake clean to remove adhesive.





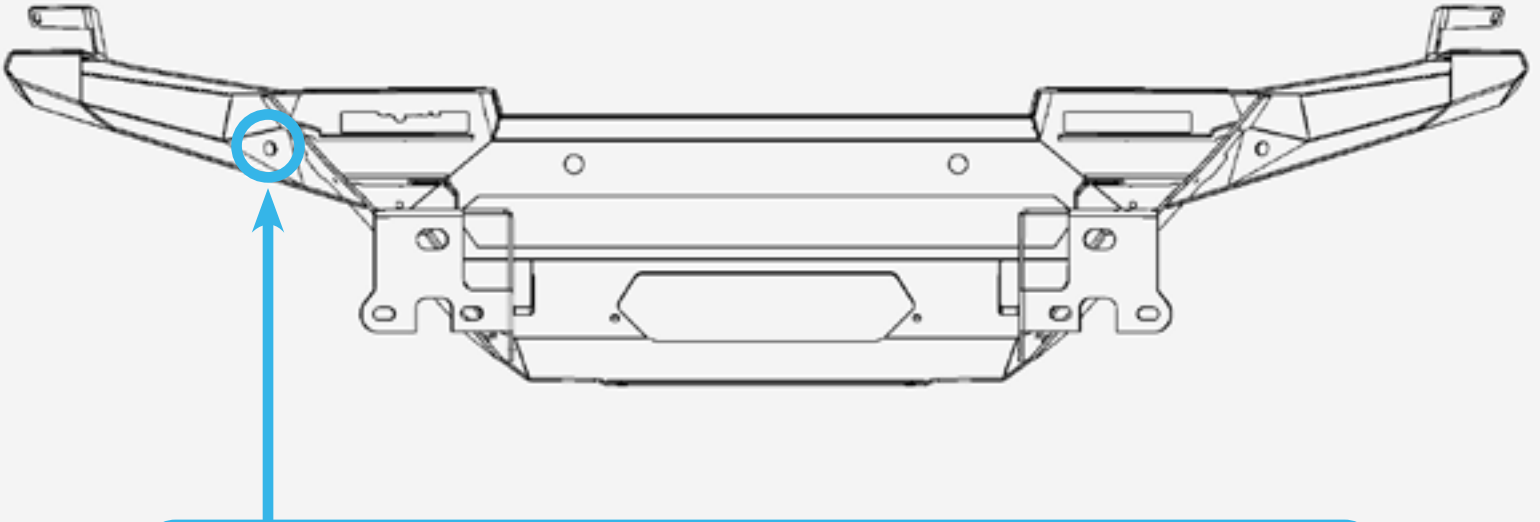
STEP 25

Install the provided 3m double sided tape to each side of the bezel wings and trim excess with a (razor blade).



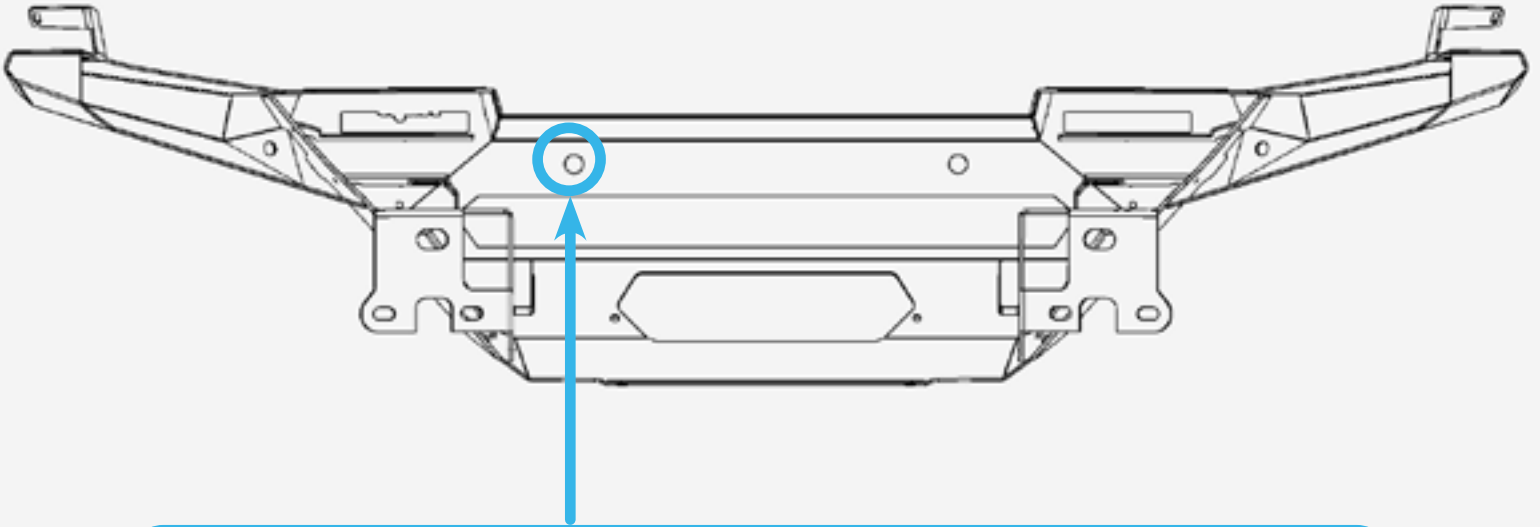
STEP 26

Install the driver outer sensor bezel as shown below ensuring that the sensor plug in is pointing outwards.



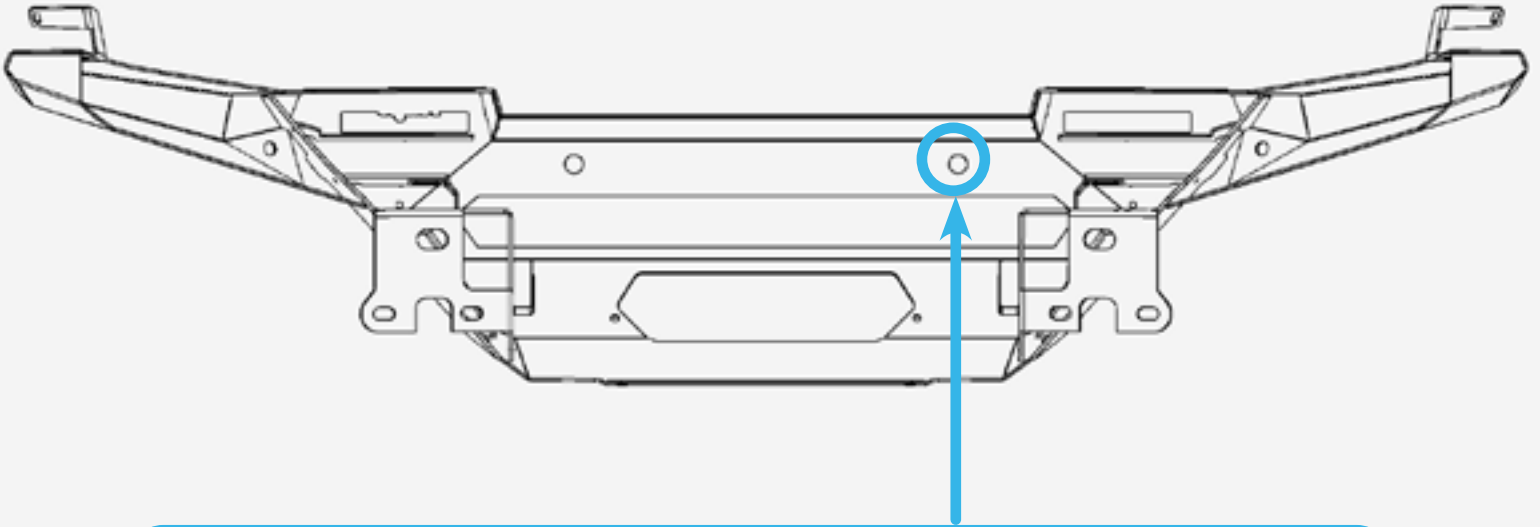
STEP 27

Install the driver inner sensor bezel as shown below ensuring that the sensor plug in is pointing outwards.



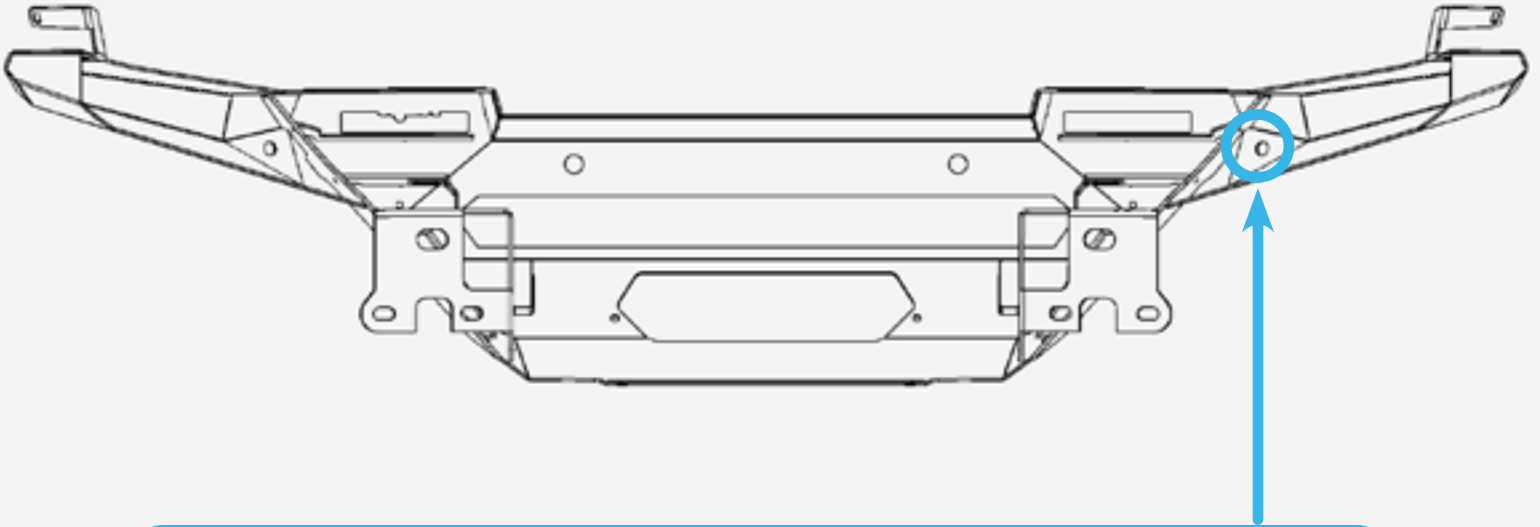
STEP 28

Install the passenger inner sensor bezel as shown below ensuring that the sensor plug in is pointing outwards.



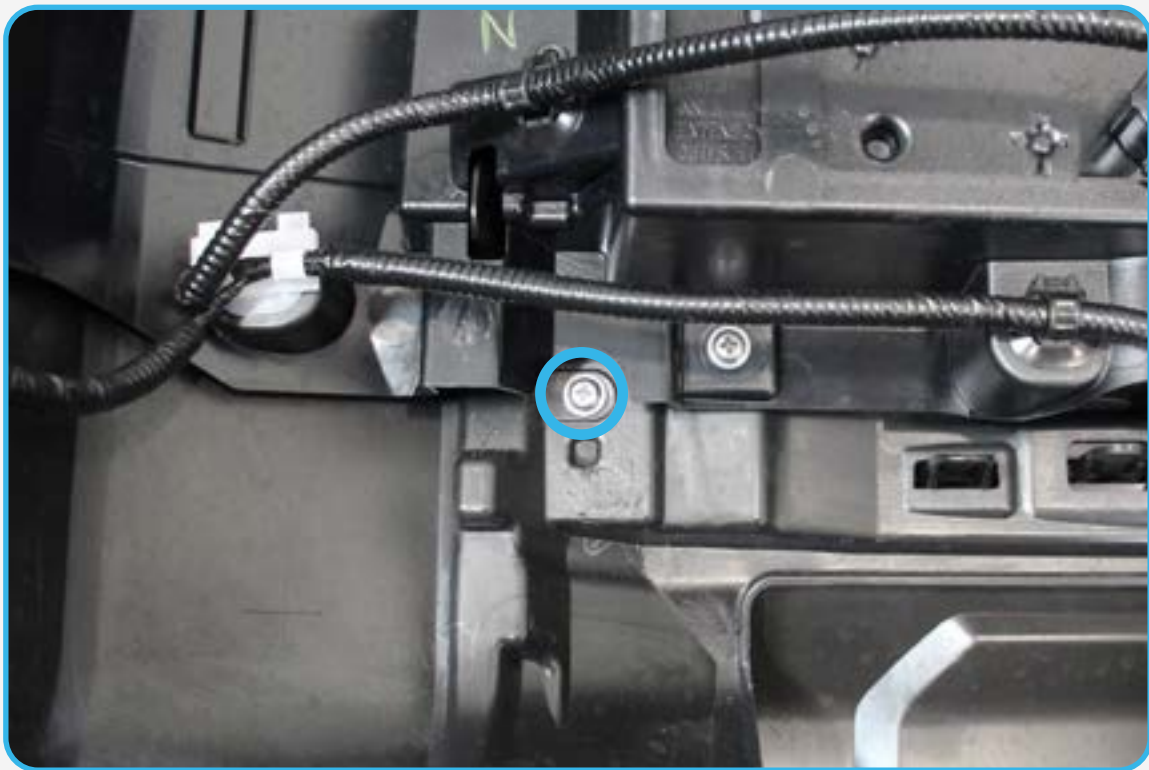
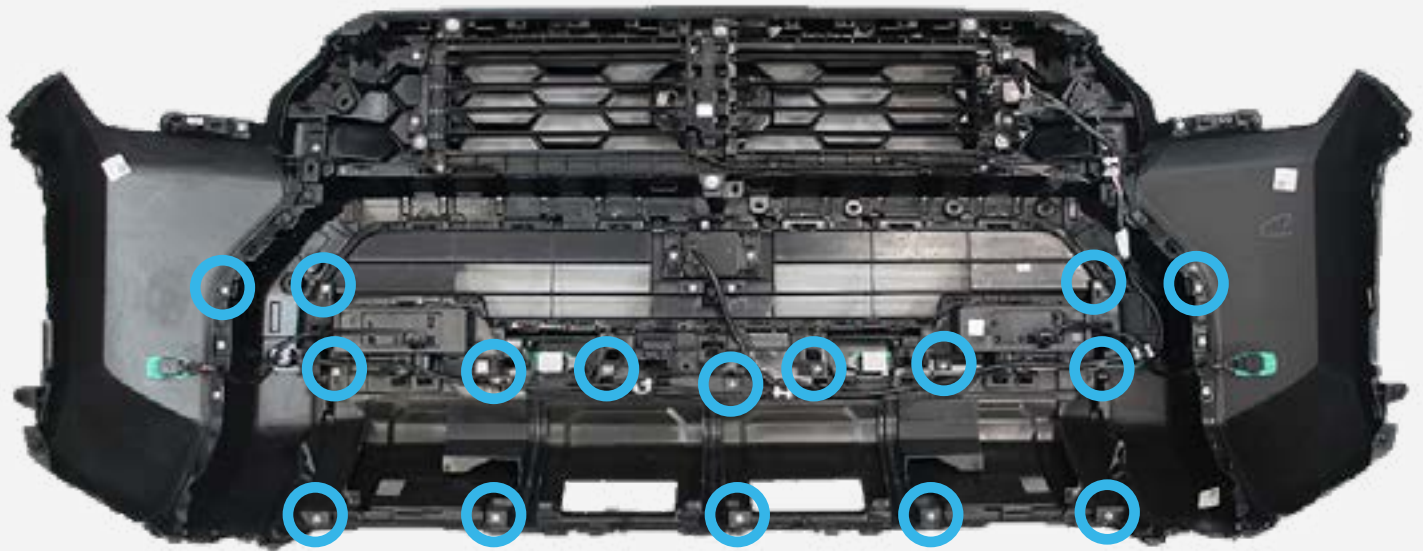
STEP 29

Install the passenger outer sensor bezel as shown below ensuring that the sensor plug in is pointing outwards.



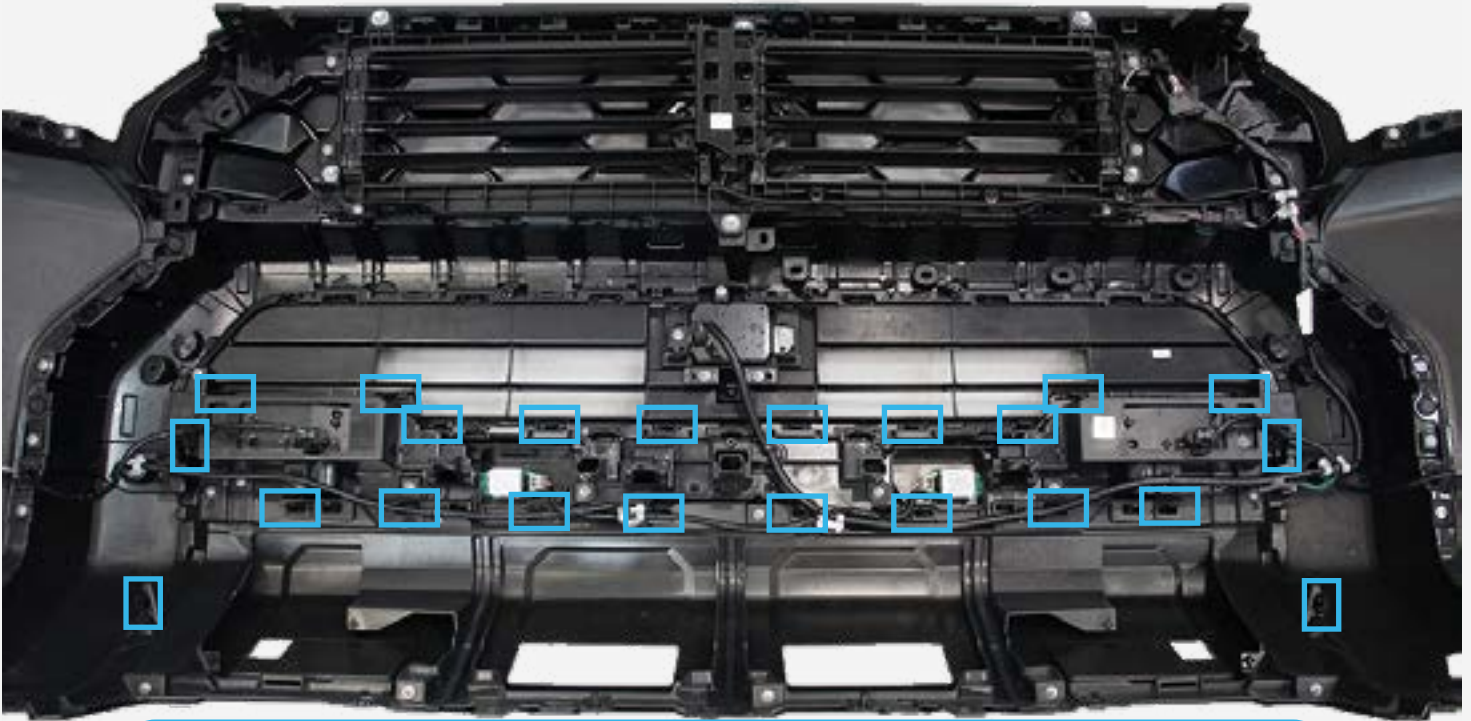
STEP 30

Using a (Philips-head screwdriver), Remove the 18x screw highlighted below.



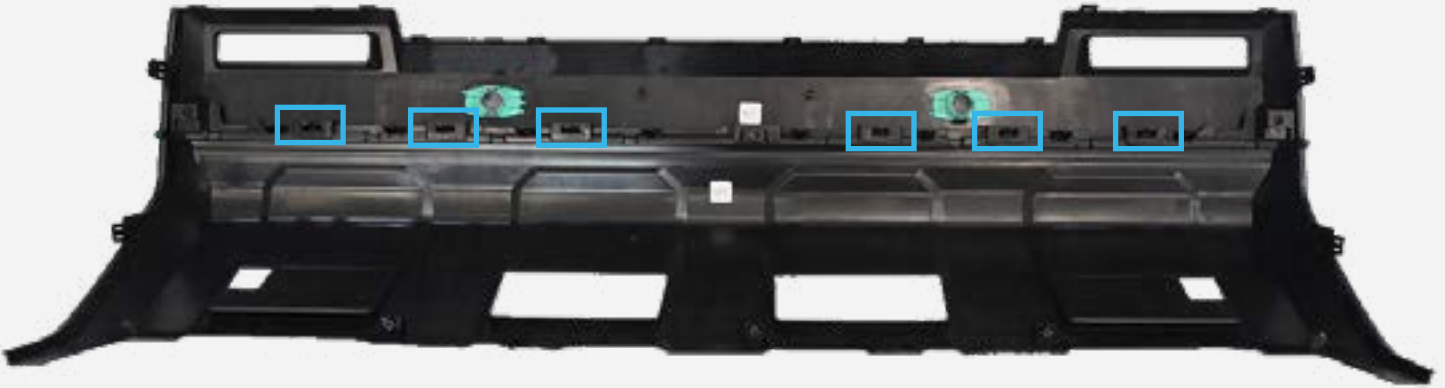
STEP 31

Using a (Flathead screwdriver), remove each highlighted retaining clip by gently prying. This may require a extra hand with someone pulling the plastic from the front face and the other removes the retaining clips.



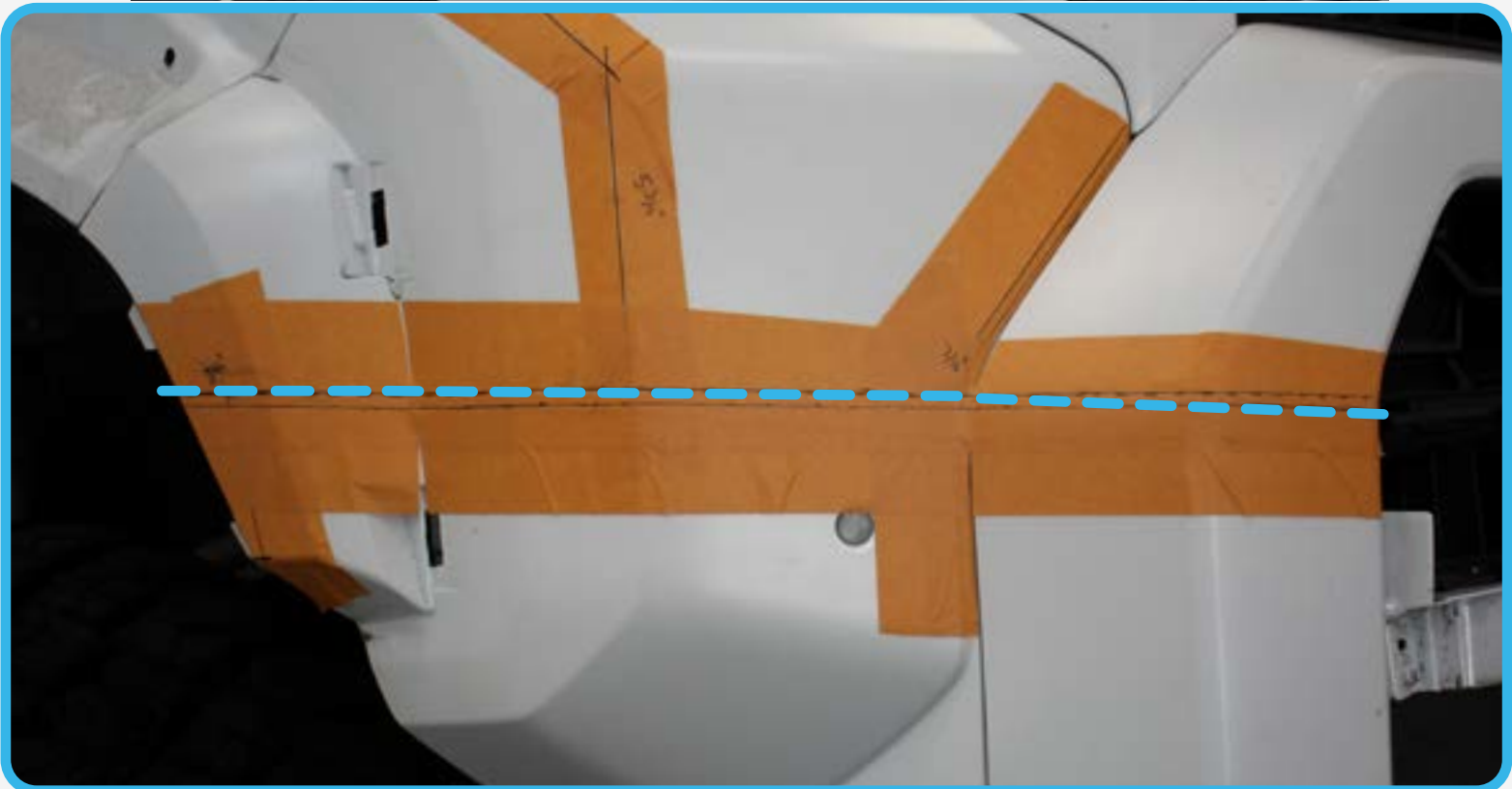
STEP 32

With the center plastic removed from the front assembly, use a (flathead screwdriver) and separate the two plastic covers. Set the cover with the sensor bezels aside for install.



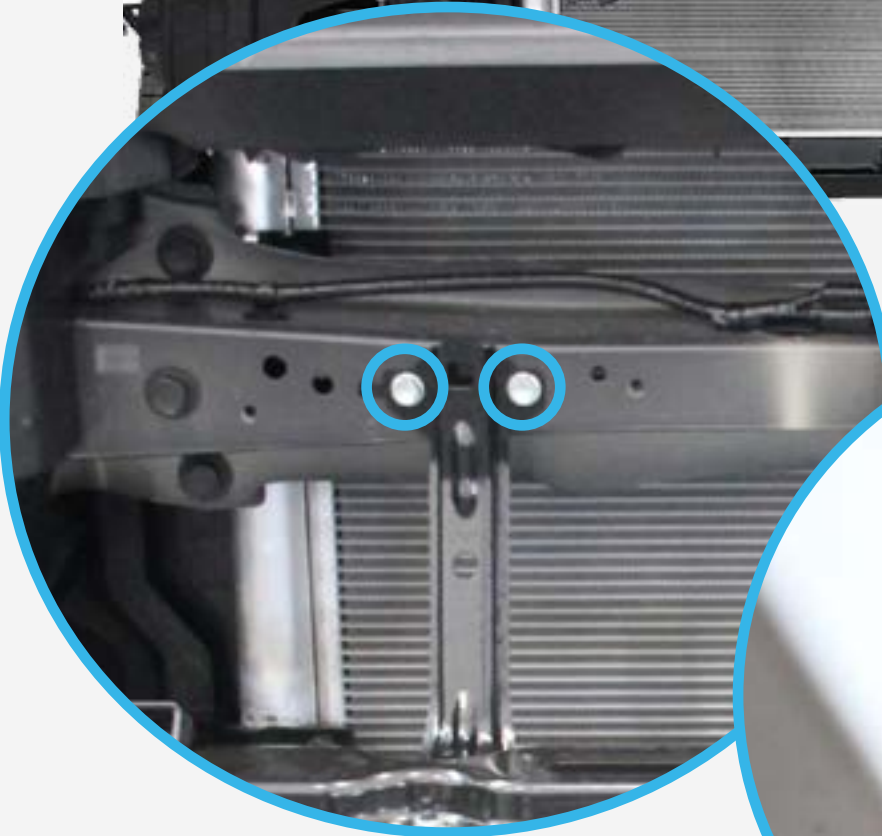
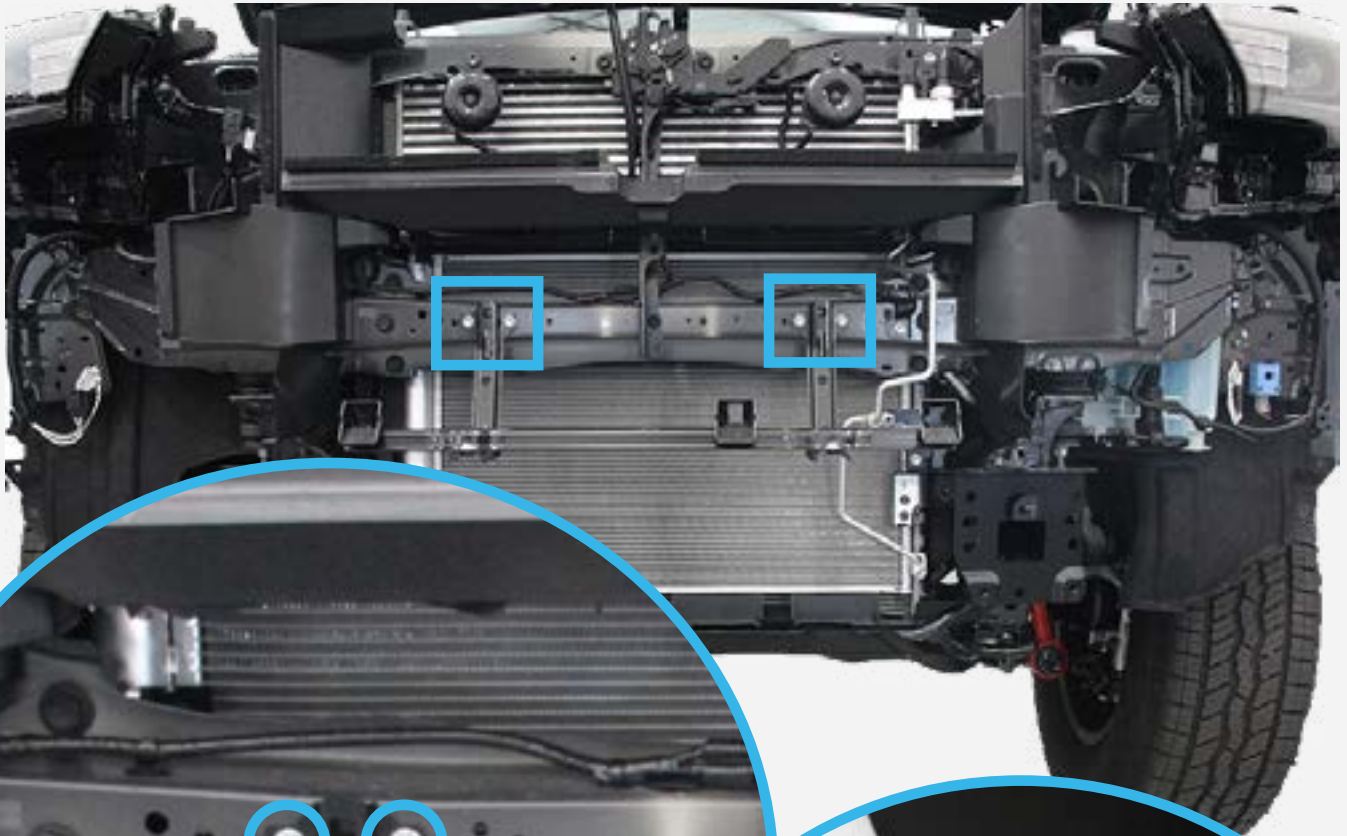
STEP 33

Using a (jigsaw) or your choice of cutting tools, cut along the edge as shown in FIG. 1. ****Avoid the wiring harness while cutting****



STEP 34

Using a (10mm socket) remove the support piece shown below and install the provided (G1) 1/2" spacer and install using the provided (G) M6 button head using a (5/32 allen).



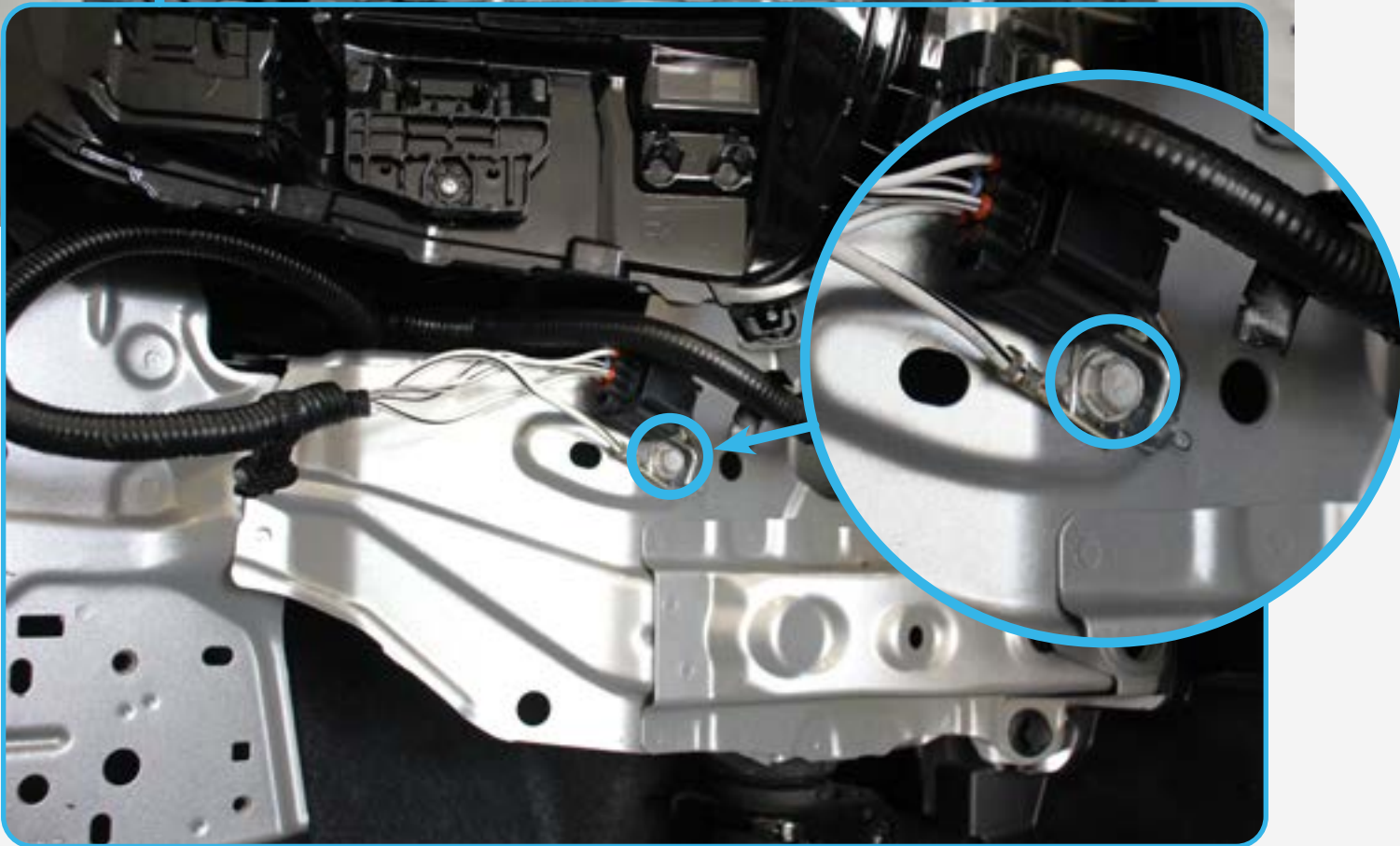
STEP 35

Using a (10mm socket) remove the hardware shown below on the passenger side and remove the clips holding the wire harness. ****Keep Hardware****



STEP 36

Install the harness into the threaded hole shown below with the hardware removed from step 35 using a (10mm socket).



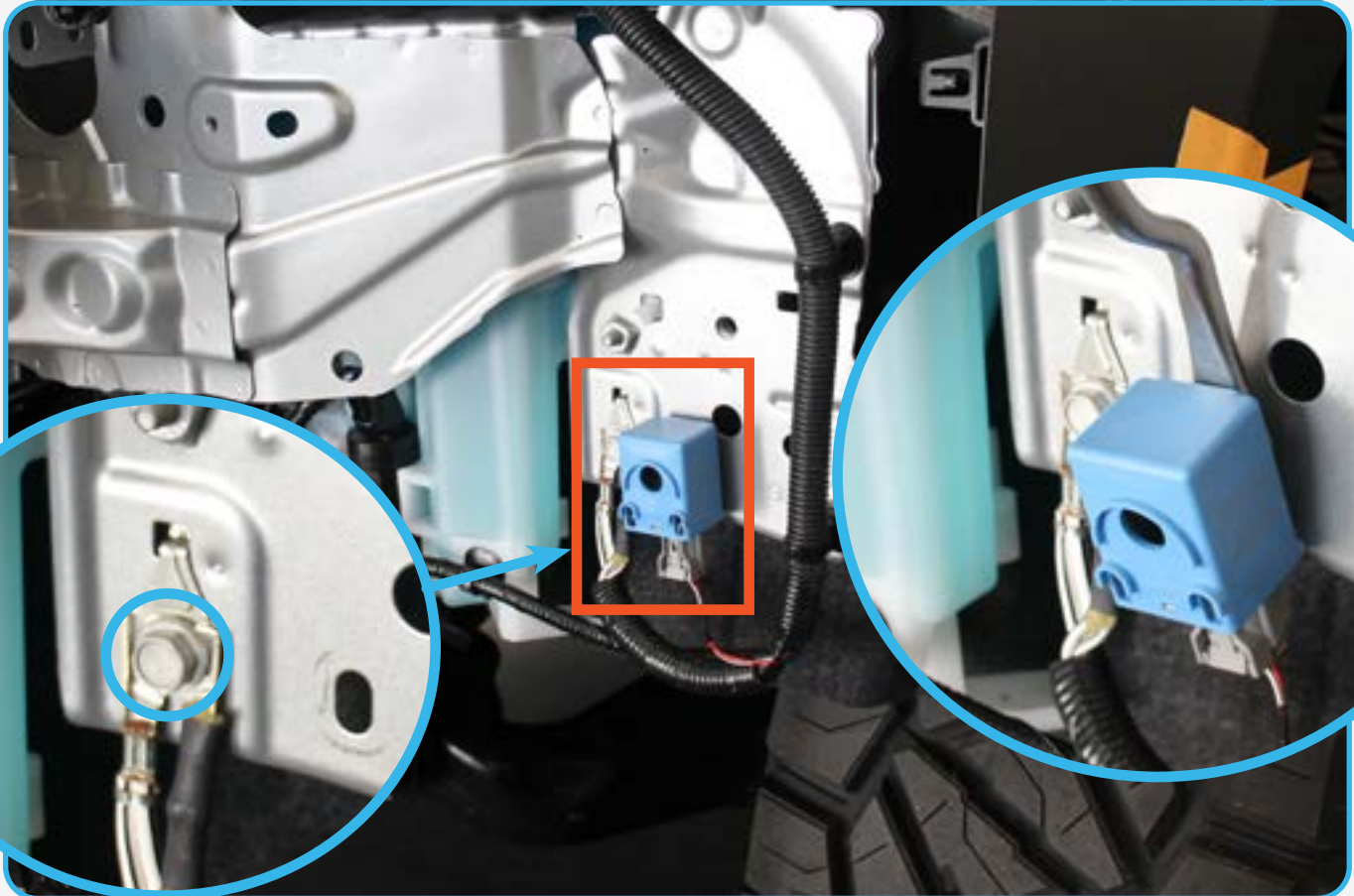
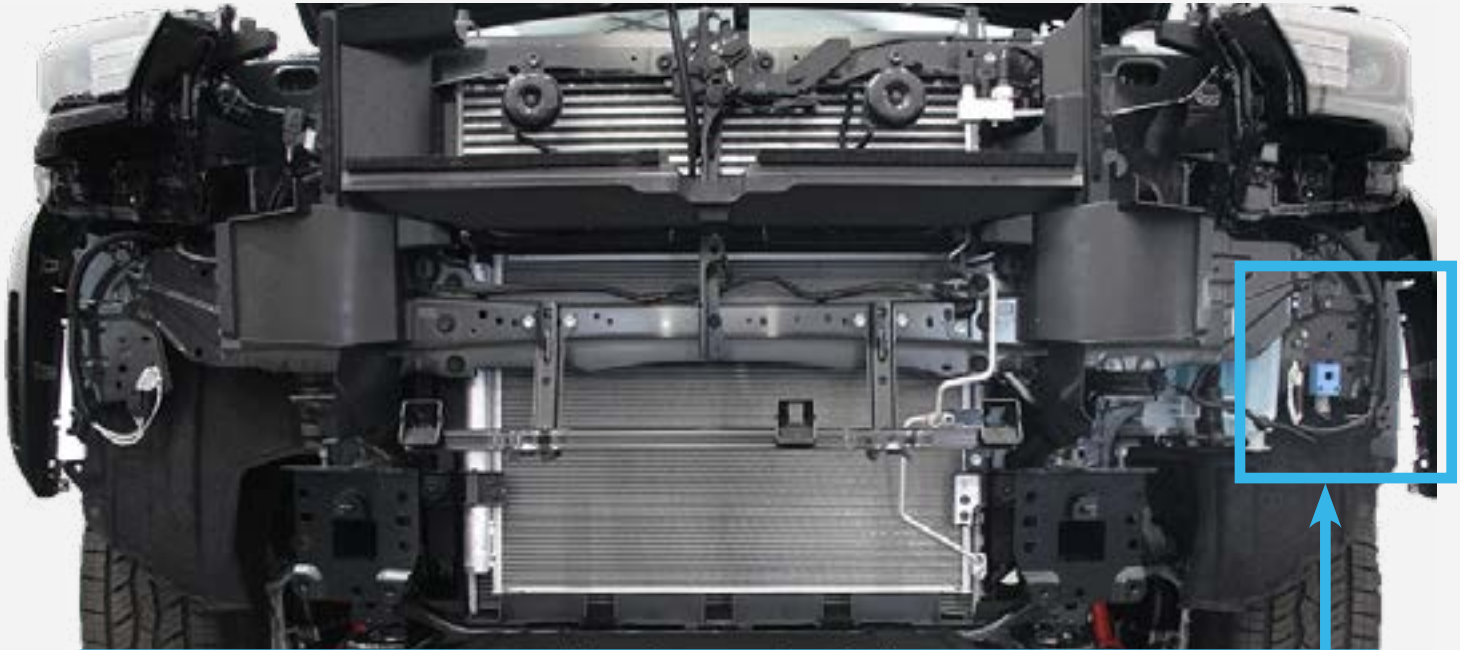
STEP 37

Using your choice of cutting tools cut along the dotted line shown below.



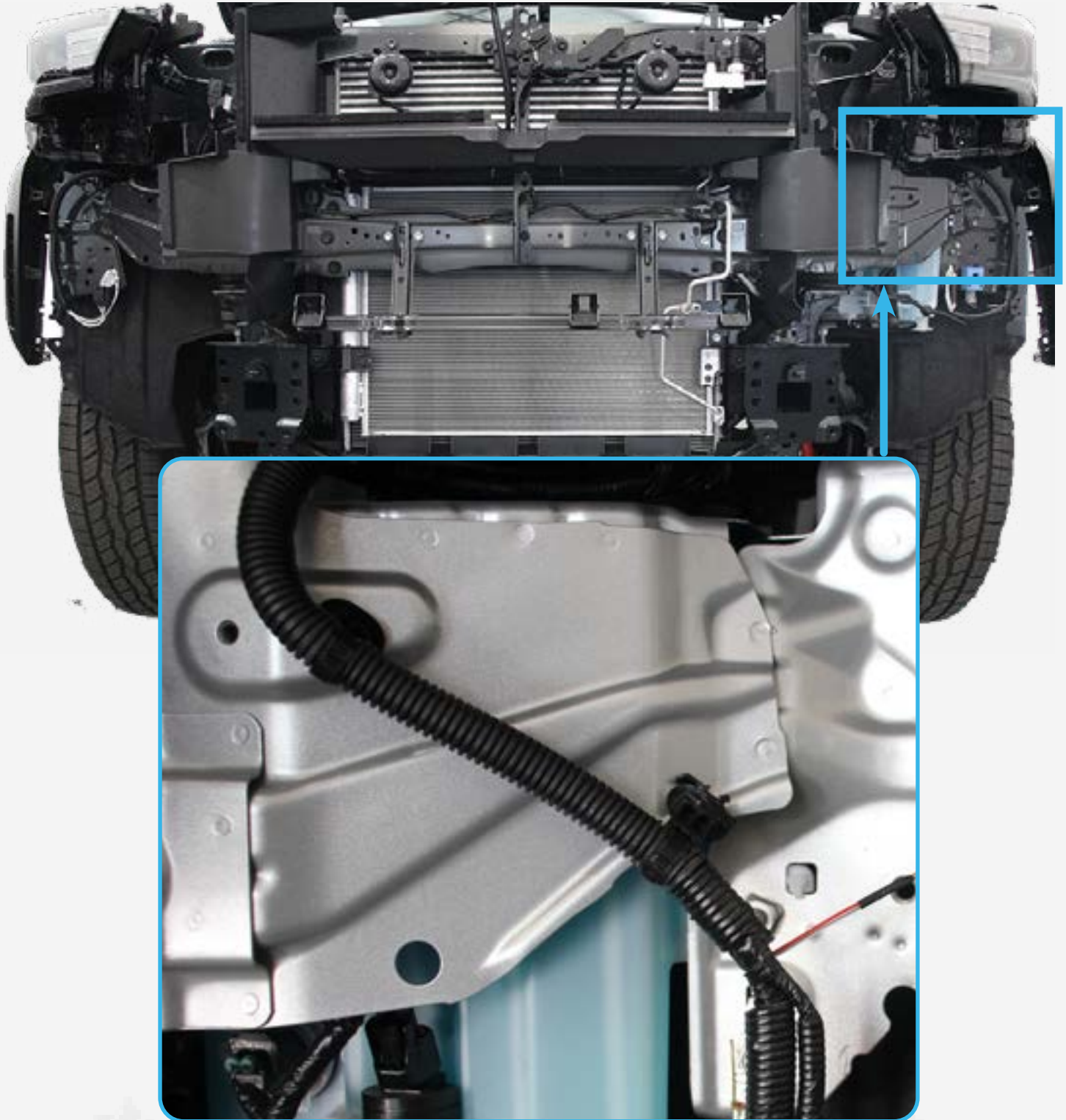
STEP 38

Using a (10mm socket) remove the hardware shown below on the passenger side and remove the clips holding the wire harness. ****Keep Hardware****



STEP 39

Install the harness into the threaded hole shown below with the hardware removed from step 38 using a (10mm socket).



STEP 40

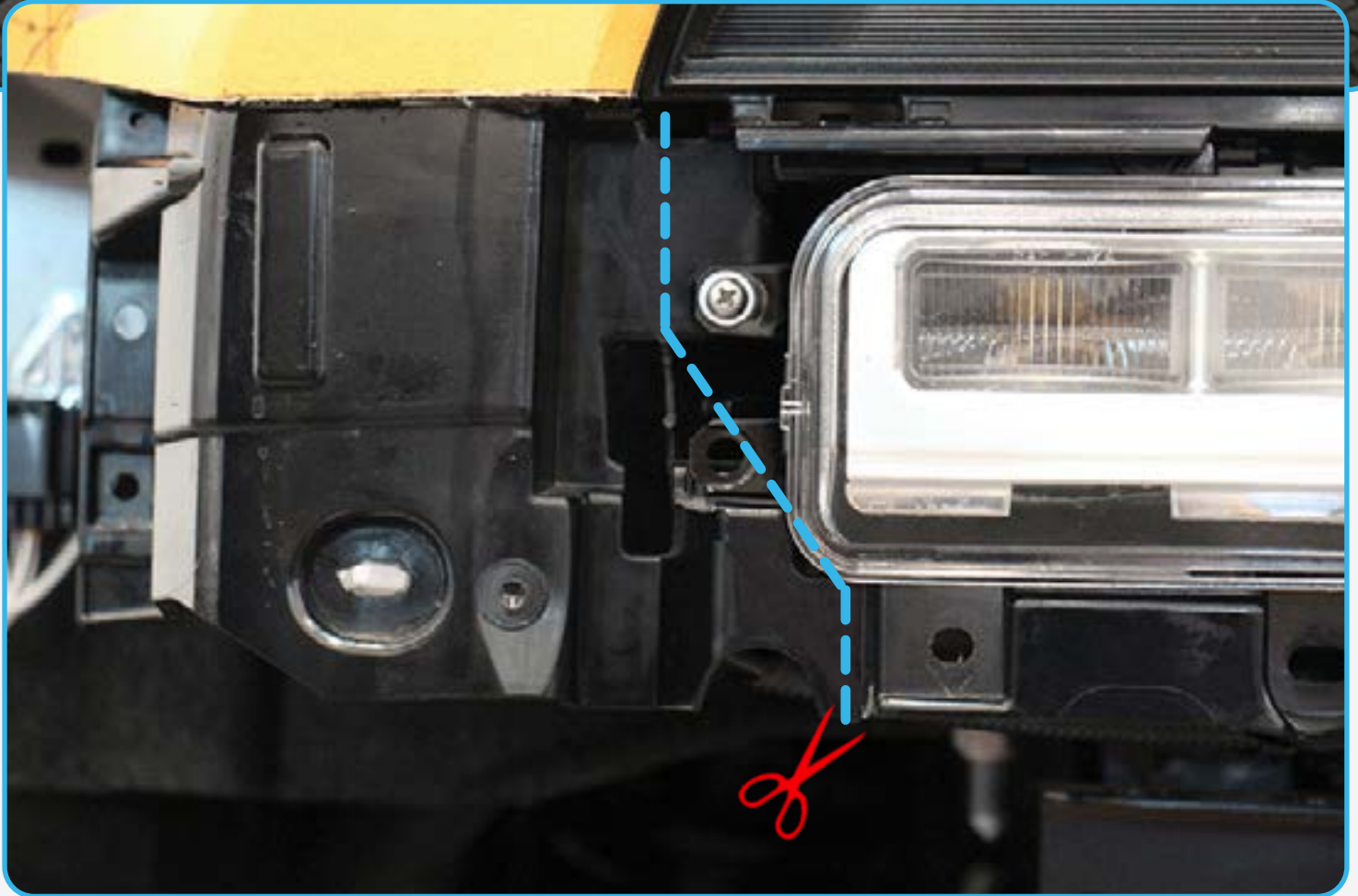
Using your choice of cutting tools cut along the dotted line shown below.

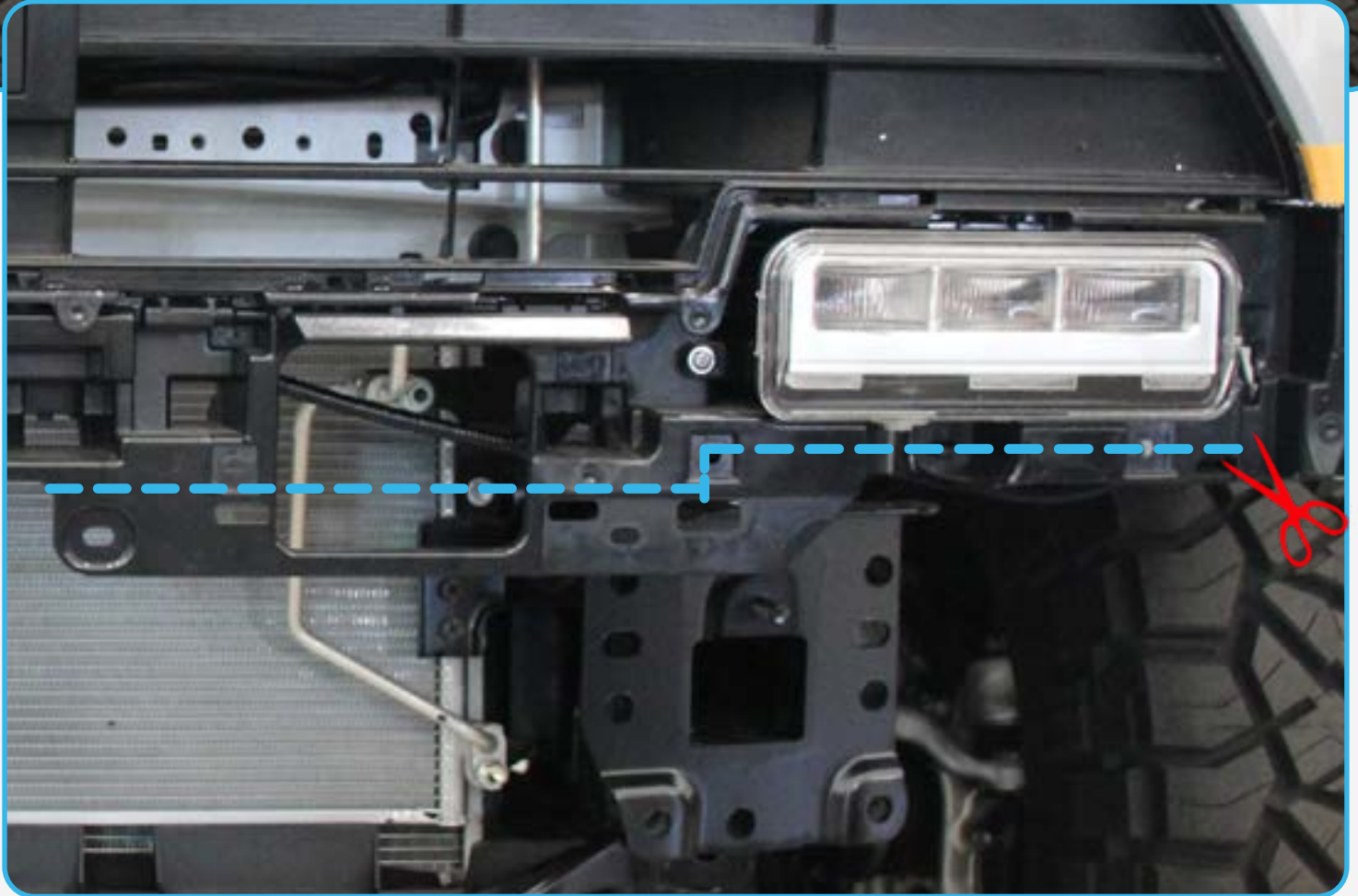


STEP 41

Using your choice of cutting tools cut along the dotted line shown below.







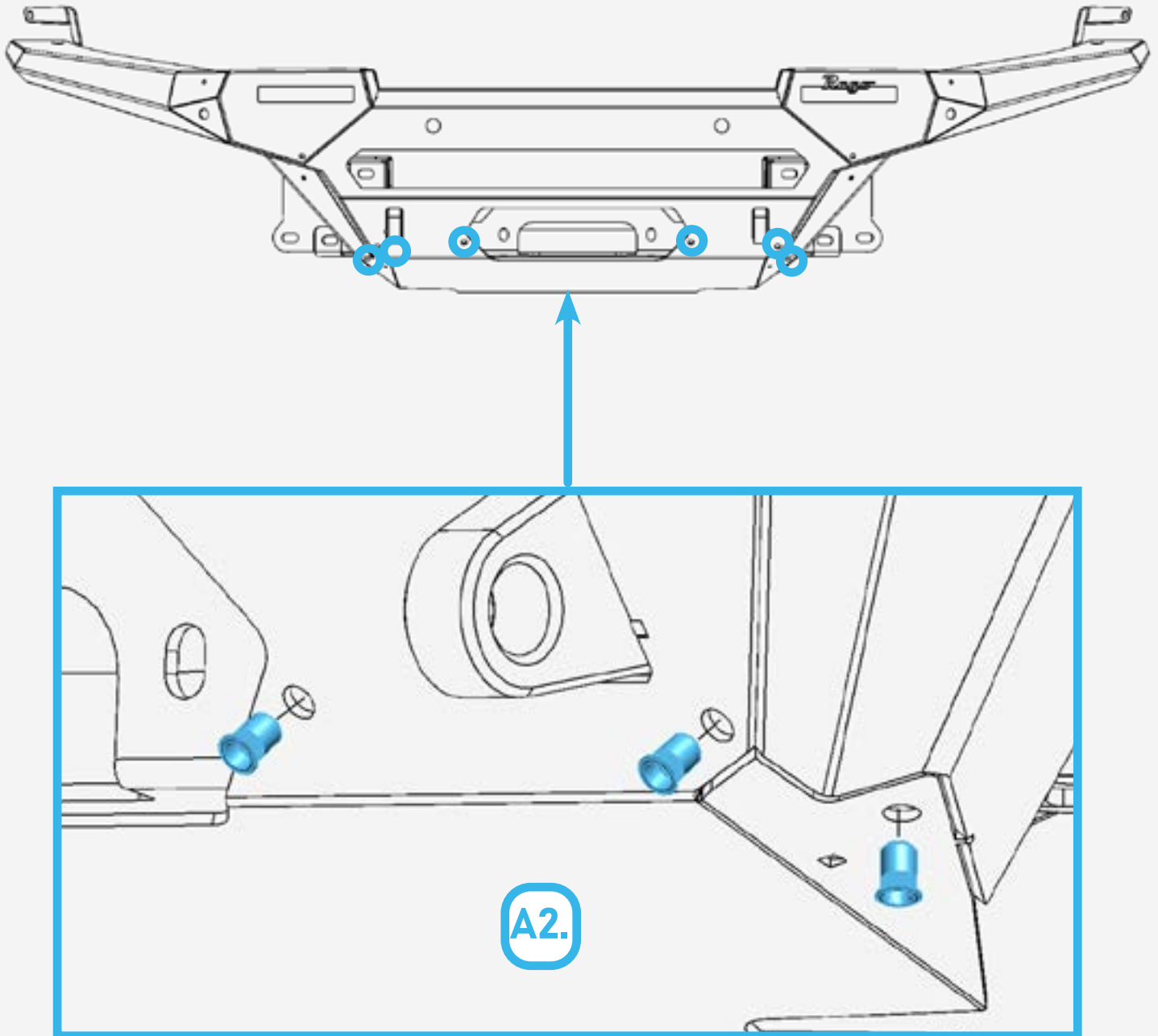
STEP 42

Carefully position the winch to not damage the intercooler. Install the winch mount with the provided (E, E1, E2) hardware using a (3/4 wrench) and a (3/4 socket). (INSTALL WINCH AND FAIRLEAD BEFORE MOUNTING TO THE TRUCK)



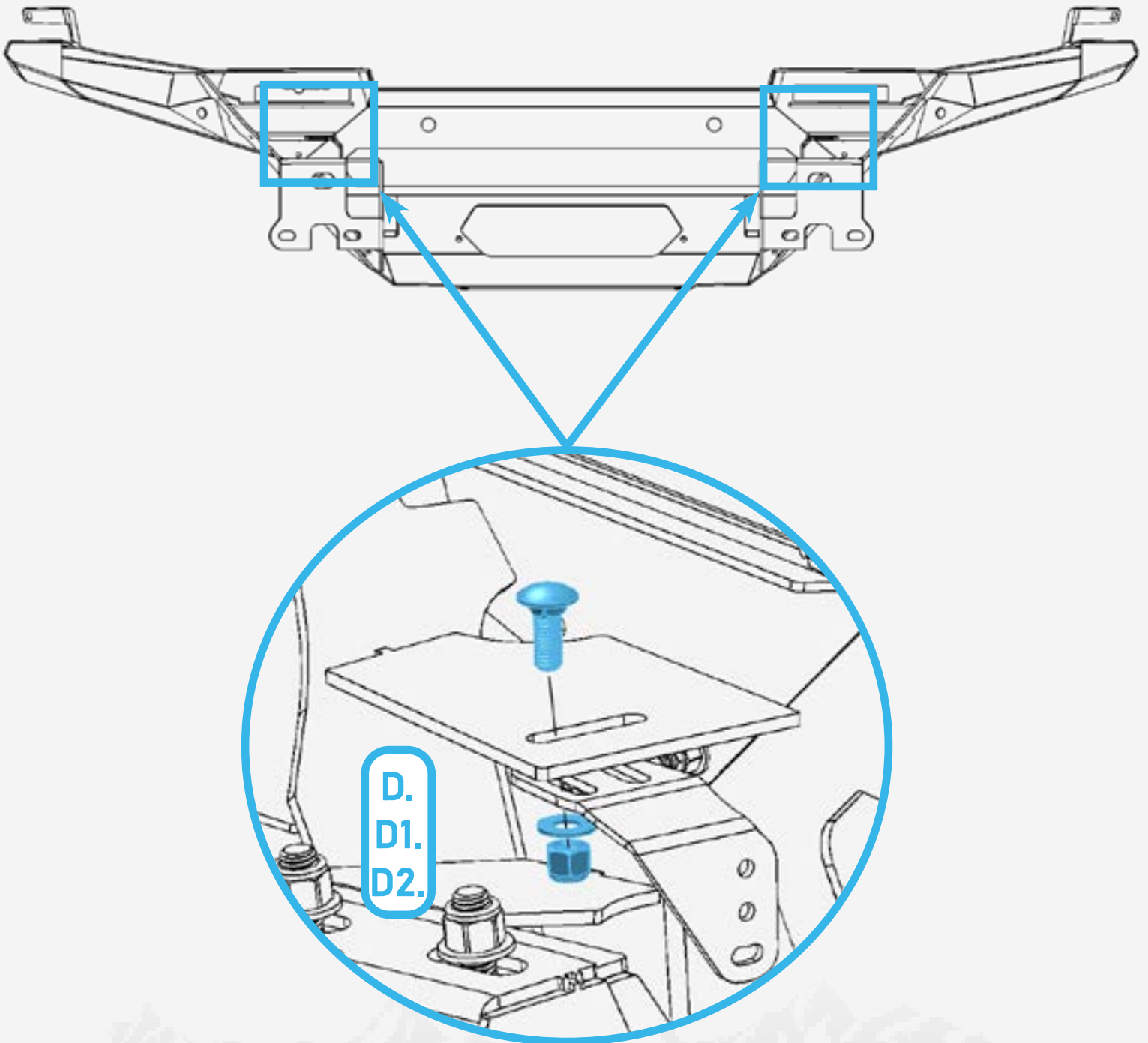
STEP 43

Install the provided (A2) rivet nut using a (rivet nut hand tool) into the highlighted holes shown below.



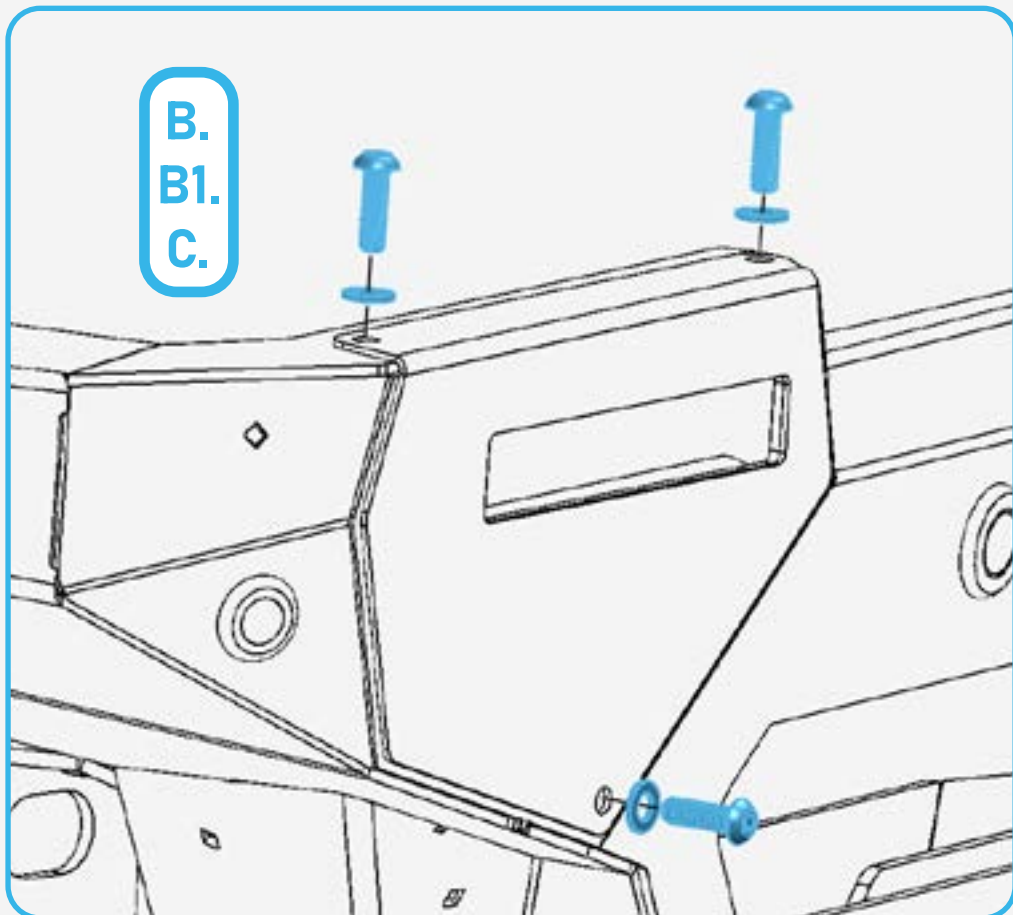
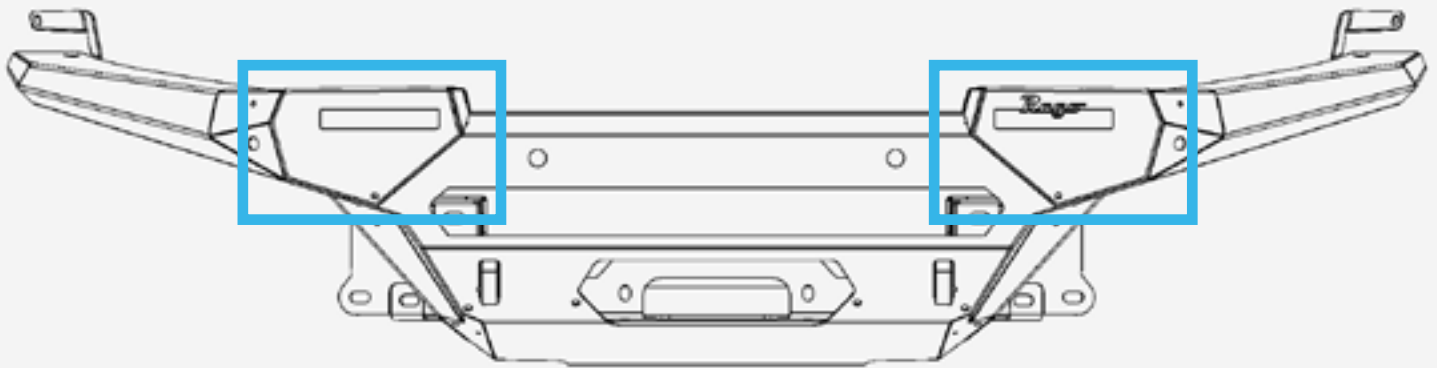
STEP 44

Now would be a good time to install your light options by installing the provided universal light brackets with (D, D1, D2) 3/8" hardware using a (9/16 wrench).



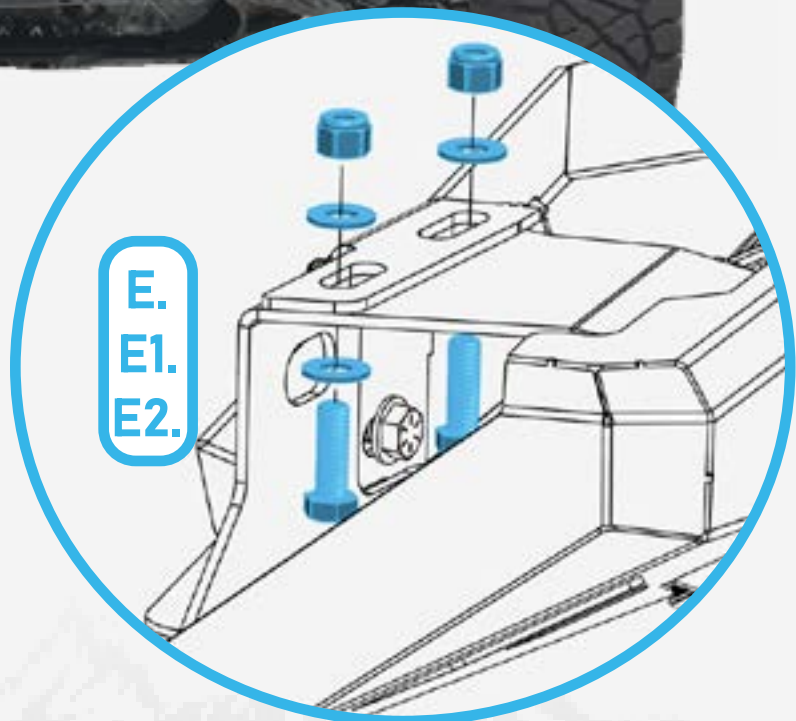
STEP 45

Now would be a good time to install your light options by installing the provided universal light brackets with **(B, B1, C)** 3/8" hardware using a **(3/16 allen)** and a **(1/2 wrench)**.



STEP 46

With a helping hand, you can now install the bumper using a (17mm socket) with the hardware removed from **step 11** and the provided (E, E1, E2) 1/2" hardware in the top mounting holes using a (3/4 wrench).



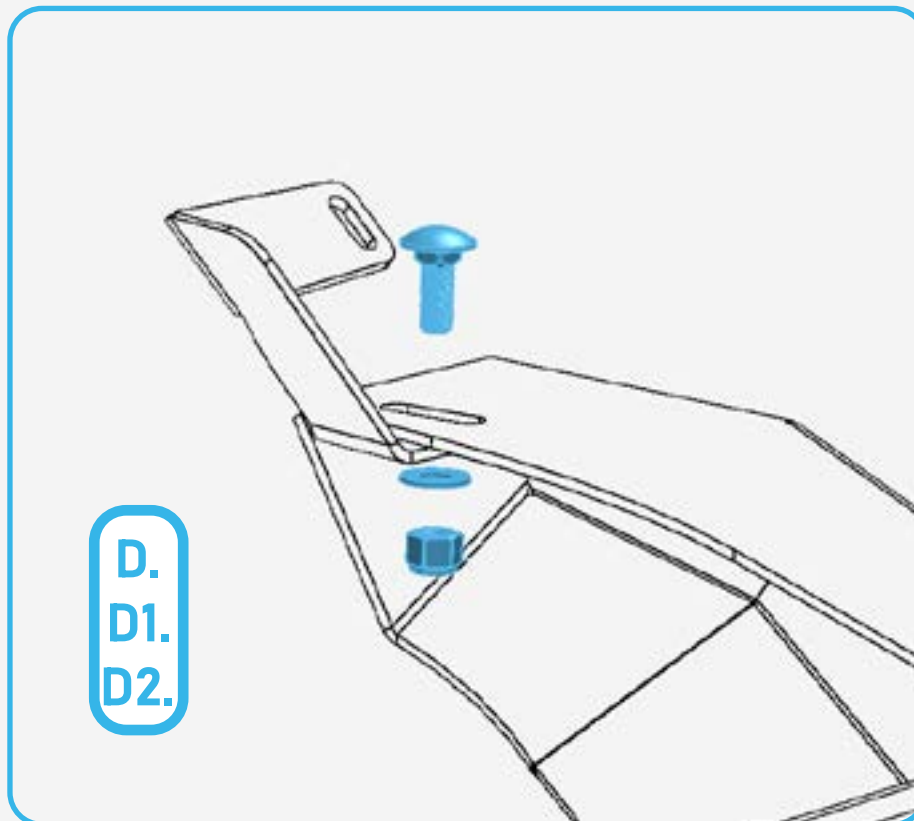
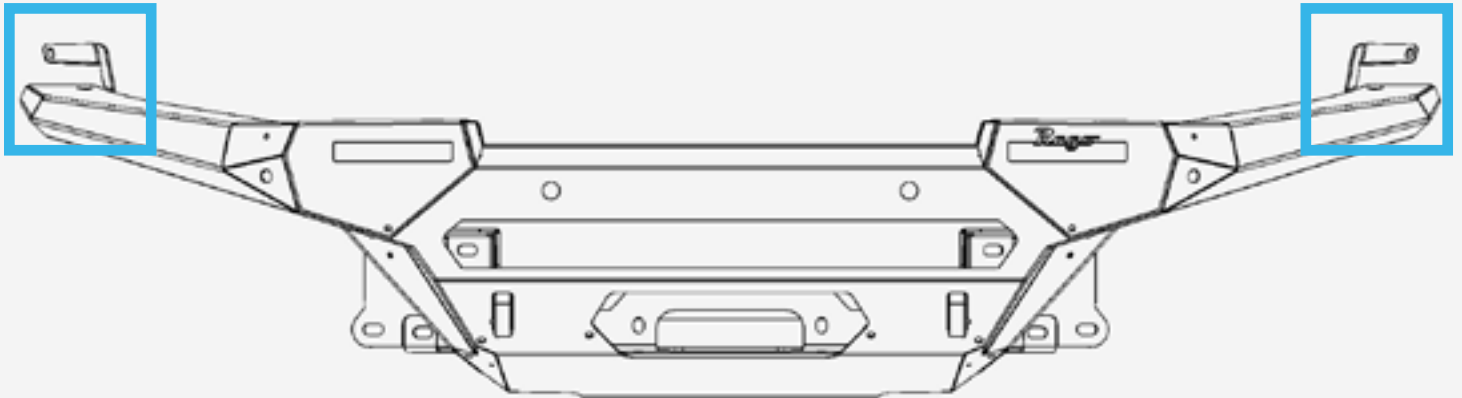
STEP 47

Now with the bumper installed, ensure you are happy with your cut. If not scribe a mark based off the bumper and remove the bumper and sand down the remaining amount until your happy with the fitment.



STEP 48

Install the support brackets on the wings as shown below with the provided (D, D1, D2) 3/8" hardware using a (9/16 wrench).



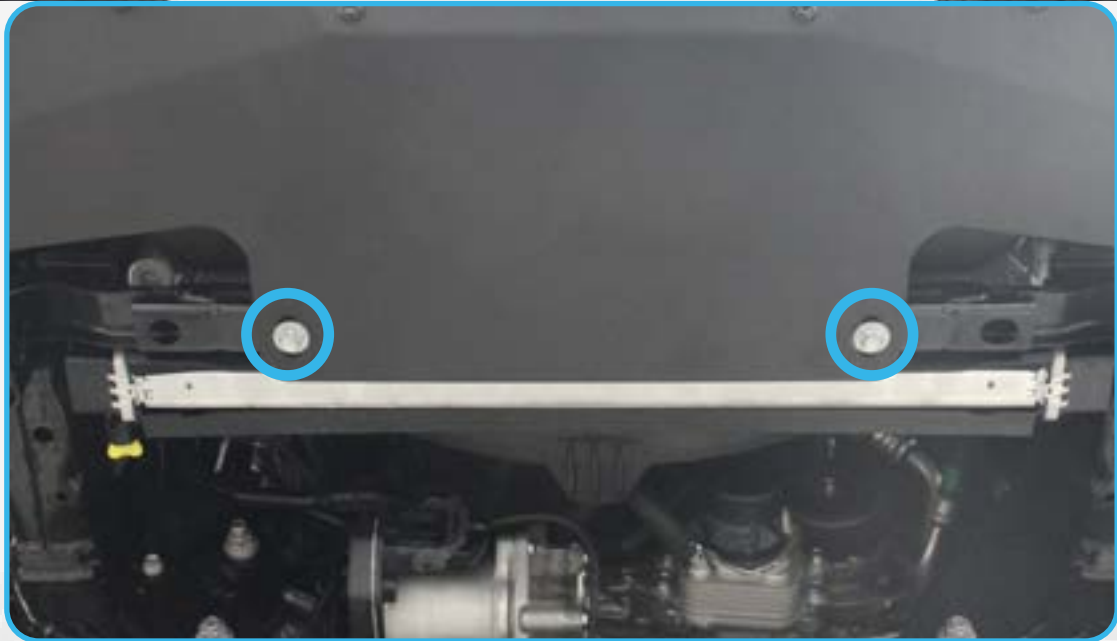
STEP 49

Install the fender liner bolts with the lower one going into the brackets installed on step 48 using a **(10mm socket)**.



STEP 50

Install the lower mounting hardware with the OEM hardware removed from **step 9** using a (12mm socket).



STEP 51

Using a razor blade, cut the fender liner to your desired length.



□ STEP 52

Stand back and enjoy your new RAGO Full Width Front Bumper With Winch Mount.

Check and re-tighten, if needed, all mounting bolts after 100 miles and periodically thereafter.

